

Patents, Designs, and Trade Marks

SUPPLEMENT

TO THE

NEW ZEALAND GAZETTE

OF

THURSDAY, SEPTEMBER 23, 1909.

Published by Authority.

WELLINGTON, THURSDAY, SEPTEMBER 23, 1909.

CONTENTS.

	Page
Complete Specifications and Drawings open to Inspection	2435
International and Intercolonial Arrangements for the Mutual Protection of Patents and Trade Marks	2436
Patent Publications in New Zealand	2436
Books and Documents open to Inspection at Patent Office, Wellington	2436
Books, Documents, &c., open to Inspection at Local Patent Offices, Auckland, Christchurch, and Dunedin	2437
Specifications of Inventions open to Inspection	2437
Official Publications	2437
Local Patent Offices	2437
Office for Registration of Copyright	2437
Applications for Letters Patent filed	2438
Complete Specifications filed after Provisionals	2439
Complete Specifications accepted	2439
Provisional Specifications accepted	2443
Letters Patent sealed	2444
Letters Patent on which Fees have been paid	2444
Subsequent Proprietors of Letters Patent registered	2444
Requests for Correction of Clerical Errors	2444
Applications for Letters Patent abandoned	2444
Application for Letters Patent abandoned by Withdrawal on the Part of the Applicant	2444
Application for Letters Patent void	2444
Applications for Letters Patent lapsed	2444
Letters Patent void	2445
Design expired	2445
Applications for Trade Marks filed	2445
Applications for Registration of Trade Marks	2445
Trade Marks registered	2448
Subsequent Proprietors of Trade Marks registered	2449
Trade Mark Renewal Fees paid	2449
Trade Marks removed from the Register	2449
Applications for Trade Marks opposed	2449
Application for Trade Mark withdrawn	2449

Complete Specifications and Drawings open to Inspection at Auckland, Dunedin, and Christchurch.

COPIES of the complete specifications and drawings advertised in the *Gazette* will be sent for public inspection to the

LOCAL PATENT OFFICES

IN THE

SUPREME COURT BUILDINGS

in the following towns on or about the dates mentioned:—

Auckland.

Gazette No. 78, of the 23rd September. 29th September to 14th October, inclusive.

Dunedin.

Gazette No. 78, of the 23rd September. 20th October to 3rd November, inclusive.

Gazette No. 75, of the 9th September. 5th October to 19th October, inclusive.

Gazette No. 71, of the 26th August. 21st September to 5th October, inclusive.

Christchurch.

Gazette No. 78, of the 23rd September. 8th November to 22nd November, inclusive.

Gazette No. 75, of the 9th September. 23rd October to 6th November, inclusive.

Gazette No. 71, of the 26th August. 9th October to 23rd October, inclusive.

Gazette No. 66, of the 12th August. 25th September to 9th October, inclusive.

[NOTE.—The office can take no responsibility if from any cause the specifications are not so available.]

International and Intercolonial Arrangements for the Mutual Protection of Patents and Trade Marks.

INTERNATIONAL CONVENTION.

THE following countries now belong to the Convention :—

Australia.	Italy.
Austria-Hungary.	Japan.
Belgium.	Mexico.
Brazil.	New Zealand.
Ceylon.	Norway.
Cuba.	Portugal, with the Azores and Madeira.
Denmark and Faroe Islands.	Servia.
Dominican Republic.	Spain.
France, with Algeria and Colonies.	Sweden.
Germany.	Switzerland.
Great Britain.	Tunis.
Holland, with East Indian Colonies, Curaçoa, and Surinam.*	United States of America.

* Trade marks only.

Separate arrangements have been made between Australia and New Zealand.

Particulars of the Convention and of such arrangements may be seen in the following *Gazettes* :—

Notification of adhesion of New Zealand to the Convention, with text thereof (in English), in the *Gazette* of 26th November, 1891; notification of adherence of New Zealand to the Additional Act of the Convention, with text (in English), of such Additional Act, in *Patents Supplement to Gazette* No. 101, of the 16th November, 1905; Order in Council applying section 103 of the Imperial Act to New Zealand, in *Gazette* No. 27, of the 15th May, 1890; Orders in Council containing arrangements between Australia and New Zealand, in *Patent Supplements to the Gazette* Nos. 22 of the 9th March, 1905, and 38 of the 20th April, 1905.

Patent Publications in New Zealand.

THE following publications relating to Patents for inventions, &c., are open to inspection in the Dominion :—

WELLINGTON.—PATENT OFFICE LIBRARY.

United Kingdom.

The full text of the specifications and complete drawings of inventions patented from the year 1617 up to the 10th June, 1909.

Classified illustrated abridgments of inventions from 1855 to 1906 and part of 1907.

Illustrated Official Journal, containing lists of recent applications, abridgments of inventions for which patents have been lately granted, patents void, &c., to August, 1909.

Index of Applicants.

Subject-matter Index.

Commissioner of Patents Journal, &c.^(a).

Trade Marks Journal to May, 1909.

Canada.

Patent Office Record (containing illustrated abridgments of inventions, &c.) to April, 1909.

Australia.

The full text of the specifications and complete drawings in respect of applications accepted from the 11th January, 1906, to the 27th April, 1909, inclusive.

The Official Journal of Patents of the Australian Commonwealth (containing lists of applications for letters patent, abridgments of complete specifications accepted, &c.).

The Australian Official Journal of Trade Marks (containing lists of applications for registration of trade marks, &c.).

Specifications, drawings, abridgments, and indexes of Victoria, New South Wales, Queensland, and South Australia^(b).

United States.

The full text of the specifications and drawings for the years 1905 and 1906.

The Official Gazette of the United States Patent Office (containing illustrated abridgments of specifications, &c.) to July, 1909.

Mexico.

The Official Gazette of the Patent and Trade Mark Office.

^(a) Discontinued.

^(b) In arrears. Not now being printed.

General.

La Propriété Industrielle (the official organ of the International Bureau of the Union for the Protection of Industrial Property).

Patent laws of the world.

Patent and Trade Mark Review.

Text-books and handbooks on patents and trade marks.

AUCKLAND.—PUBLIC LIBRARY

United Kingdom.

Classified abridgments of inventions from 1855 to 1904.
Illustrated Official Journal from 1897 to date.

Canada.

Patent Office Record (containing illustrated abridgments of inventions, &c.) from 1897 to date.

Australia.

The Official Journal of Patents from 1905 to date.

United States.

The Official Gazette of the United States Patent Office (containing illustrated abridgments of specifications, &c.) from 1885 to 1887 and 1890 to 1895.

CHRISTCHURCH.—PUBLIC LIBRARY.

United Kingdom.

Classified abridgments of inventions from 1855 to 1904.
Illustrated Official Journal from October, 1905, to date.

Canada.

Patent Office Record (containing illustrated abridgments of inventions, &c.) from 1897 to date.

Australia.

The Official Journal of Patents from 1905 to date.

DUNEDIN.—PUBLIC LIBRARY.

United Kingdom.

Classified abridgments of inventions from 1855 to 1904.
Illustrated Official Journal from October, 1905, to date.

Australia.

The Official Journal of Patents from 1905 to date.

Books and Documents open to Inspection at Patent Office, Wellington.

THE following documents and books are open to public inspection at the Patent Office :—

PATENTS.

(Fee for each search or inspection, not exceeding one hour, 1s.)

1. The files relating to all applications for letters patent in respect of which complete specifications have been accepted.
2. Classified copies of specifications and drawings, with index and key^(a).
3. Register of Applications for Letters Patent.
4. Register of Patents.
5. Register of Subsequent Proprietors of Letters Patent^(b).
6. Index of Patentees^(c).
7. Index of Proprietors of Letters Patent granted prior to 1890^(d).
8. Index of Specifications^(e).

DESIGNS.

(Search fee, 1s. each quarter of an hour.)

1. Register of Designs, with Index of Names of Proprietors.
2. Classified Representations of Designs in respect of which Copyright has expired.
3. Index of Designs.

^(a) Key is in card index.

^(b) This Register contains only names of subsequent proprietors of letters patent granted prior to 1st January, 1890; since that date they appear in Register of Patents.

^(c) Includes all names of applicants, &c., and consists of four volumes to 4th November, 1903, and card index since that date. A separate card index is kept for current quarter.

^(d) The names of proprietors of subsequent letters patent appear in the Index of Patentees.

^(e) Contains classified abridgments of specifications from 1861, with extracts from drawings from July, 1904.

TRADE MARKS.

(Search fee, 1s. each quarter of an hour.)

1. The files relating to all applications for registration of trade marks.
2. Register of Applications for Registration of Trade Marks.
3. Register of Trade Marks.
4. Index of Applicants for Registration of Trade Marks^(a).
5. Index of Trade Marks.
6. Classified Representations of Trade Marks, with indexes.

MISCELLANEOUS.

Register of Patent Agents.

FORMS AND PUBLICATIONS.

The following forms, &c., may be had on application at the Patent Office, Wellington, or at any of the local Patent Offices named below:—

- Application for letters patent.
- Provisional specification.
- Complete specification and copy thereof.
- Application for registration of design.
- Application for registration of trade mark.
- Applications for extension of time.
- Requests by subsequent proprietor to enter name on Register of Patents and Trade Marks.
- Printed sheets of information as to fees and procedure to obtain letters patent and to register a trade mark^(b).
- Pamphlet containing Act and Regulations (price 1s.).

^(a) Names of applicants for registration and proprietors of trade marks are indexed at the beginning of the Registers up to 31st December, 1889; in separate volume up to 5th September, 1904; and since the latter date in card index.

^(b) May also be obtained at any local Patent Office or money-order office.

Books, Documents, &c., open to Inspection at Local Patent Offices, Auckland, Christchurch, and Dunedin.

BOOKS, documents, &c., open to inspection, and forms, &c., procurable, at the local Patent Offices at Auckland, Christchurch, and Dunedin.

BOOKS, ETC., OPEN TO INSPECTION.

Complete specifications and drawings of inventions. (Note.—One set of the specifications and drawings is sent, on acceptance, to Auckland, Christchurch, and Dunedin in succession, remaining fourteen days at each place, as advertised in the *Gazette*. Search fee, 1s. per hour.)

Classified abridgments of inventions from 1st January, 1908, to 31st March, 1909. (Search fee, 1s.)

Weekly lists of applications for patents up to and including those filed on Friday may be seen on the following Monday. (Search fee, 1s.)

Name Index—Patents, 1861–1889. (Search fee, 1s.)

Annual Reports, containing alphabetical lists of applicants and subject-matter indexes since 1890.

Patents Supplement to the *New Zealand Gazette*.

Patents, Designs, and Trade Marks Act and Rules.

Acts and Rules of other countries.

Australian Official Journal of Patents.

FORMS, ETC., OBTAINABLE.

The following forms, &c., may be obtained on application:—

- Applications for letters patent.
- Provisional specification.
- Complete specification, and copy thereof.
- Application for registration of design.
- Application for registration of trade mark.
- Applications for extension of time.
- Requests by subsequent proprietor to enter name on Register of Patents and Trade Marks.
- Printed sheets of information as to fees and procedure to obtain letters patent and to register designs and trade marks.
- Act and Regulations. (Price, 1s. 6d.)

NOTE.—The classified abridgments of the specifications and drawings of the United Kingdom may be seen in the Public Library of each of the above three principal towns. Other publications will be placed on file as soon as they are available.

Specifications of Inventions Open to Inspection.

COMPLETE specifications and drawings of inventions may be seen on acceptance at the Patent Office, Wellington, and are also available for inspection for a fortnight at the local Patent Offices at Auckland, Christchurch, and Dunedin.

Lists giving names of applicants and titles of inventions may be obtained for posting in factories, libraries, technical schools, or other places where they are likely to be seen by persons interested, on application to the Registrar of Patents, Wellington.

Official Publications.

THE following publications may be obtained from the Government Printer, Wellington:—

Printed specifications to the end of the year 1879. (Some of these are now out of print.)

Annual lists of letters patent and letters of registration applied for, and particulars of applications lapsed, and patents lapsed, from 1880 to 1893 inclusive. (The lists for the last four of these years are contained in the *Annual Reports of the Registrar*.)

Annual reports of the Registrar, containing alphabetical indexes of applicants for letters patent and of subject-matter of inventions patented from 1894 to 1907 inclusive.

The Patents Supplement to *Gazette* (containing notifications, applications for letters patent, abridged descriptions and drawings of inventions, &c.), published fortnightly.

Name Index of Patents, &c., 1861–1890. (Price, 1s.)

Local Patent Offices.

LOCAL Patent Offices for the reception of applications, supply of forms, &c., have been established at the following places:—

Auckland—Supreme Court. (E. W. Cave, agent.)

Whangarei—Courthouse. (W. J. Reeve, agent.)

Thames—Courthouse. (J. Jordan, agent.)

Waihi—Courthouse. (J. McIndoe, agent.)

Hamilton—Courthouse. (H. J. Dixon, agent.)

Gisborne—Courthouse. (G. J. A. Johnstone, agent.)

New Plymouth—Courthouse. (J. Terry, agent.)

Napier—Courthouse. (A. Trimble, agent.)

Wanganui—Courthouse. (C. A. Barton, agent.)

Taihape—Courthouse. (W. Baker, agent.)

Palmerston North—Courthouse. (C. J. Hewlett, agent.)

Masterton—Courthouse. (M. Foley, agent.)

Nelson—Courthouse. (E. C. Keeling, agent.)

Blenheim—Courthouse. (F. W. Hart, agent.)

Westport—Courthouse. (O. E. Bowling, agent.)

Greymouth—Courthouse. (B. Harper, agent.)

Hokitika—Courthouse. (J. N. Nalder, agent.)

Christchurch—Supreme Court. (W. W. Samson, agent.)

Ashburton—Courthouse. (J. Fitzgerald, agent.)

Timaru—Courthouse. (T. W. Tayler, agent.)

Oamaru—Courthouse. (A. A. Mair, agent.)

Dunedin—Supreme Court. (T. E. Roberts, agent.)

Clyde—Courthouse. (F. T. D. Jeffery, agent.)

Gore—Courthouse. (G. H. Lang, agent.)

Queenstown—Courthouse. (A. J. Thompson, agent.)

Invercargill—Courthouse. (J. R. Colyer, agent.)

Office for Registration of Copyright.

THE office for the registration of proprietorship of copyright in Fine Arts and Dramatic Works has been transferred to the Patent Office, Magistrate's Court Building, corner of Lambton Quay and Ballance Street, Wellington.

Applications for Letters Patent filed.

LIST of applications for Letters Patent filed. (Where a complete specification accompanies an application an asterisk is affixed; in all other cases a provisional specification has been lodged. In all cases where the applicant is not the inventor the name of the latter appears in italics after the title. † Denotes an application under the International and Intercolonial Arrangements.)

- No. 26520.—3rd September.—D. P. Fisher, Wellington, N.Z.
Phonograph-diaphragm.
- No. 26521.—1st September.—T. Larkin, Mamaku, N.Z.
Fire-extinguisher.
- No. 26522.—2nd September.—G. Gray, Dunedin, N.Z.
Ridging-machine.
- No. 26523.—4th September.—L. G. Grace, Hawera, N.Z.
Gun.
- No. 26524.—4th September.—W. E. Holden, Auckland, N.Z.
Magic-lantern.
- No. 26525.—4th September.—H. Clapham, Auckland, N.Z.
Hydrocarbon-gas production.
- No. 26526.—3rd September.—T. Dent, Christchurch, N.Z.
Horse-collar.*
- No. 26527.—3rd September.—A. J. Park, Dunedin, N.Z.
Franking-machine.
- No. 26528.—3rd September.—The Oil Refining Improvements Company, Limited, Glasgow, Scot.
Oil-treatment.* (*J. J. Hood and A. G. Salmon.*)
- No. 26529.—6th September.—T. Martyn, Paeroa, N.Z.
Dressing-table.*
- No. 26530.—6th September.—L. G. Grace, Hawera, N.Z.
Teapot.
- No. 26531.—6th September.—E. Hayes, Oturehua, N.Z.
Wire-grip.
- No. 26532.—6th September.—A. W. Schaefer, Wellington, N.Z.
Aeroplane.
- No. 26533.—3rd September.—T. R. Clow, Papatoetoe, N.Z.
Windmill mechanism.*
- No. 26534.—3rd September.—O. A. Noffke, Auckland, N.Z.
Go-cart, &c.
- No. 26535.—3rd September.—J. Loggie and R. H. Moon, Auckland, N.Z.
Raising and lowering curtain-poles.
- No. 26536.—7th September.—A. G. Jackson, Brisbane, Q.
Thermostat.*
- No. 26537.—28th November, 1908. †—N. Ogden, Brunswick, Vic.
Closet-disinfector.*
- No. 26538.—7th September.—W. G. Hancox, Petone, N.Z.
Spouting-bracket.
- No. 26539.—7th September.—P. Brady and R. Kennedy, Auckland, N.Z.
Railway-carriage coupling.
- No. 26540.—7th September.—W. P. Nolan, Ngapara, N.Z.
Railway-ticket dater.
- No. 26541.—7th September.—J. Rodger, Christchurch, N.Z.
Game.
- No. 26542.—8th September.—T. H. Gillman, Hawera, N.Z.
Rotating-oven-plate.
- No. 26543.—8th September.—D. L. Cochrane, Waikumete, N.Z.
Reinforced-concrete construction.
- No. 26544.—8th September.—F. E. Gurney, Wellington, N.Z.
Folding push-cart.
- No. 26545.—8th September.—H. F. Nelson, Timaru, N.Z.
Clothes-drying apparatus.
- No. 26546.—8th September.—A. Huber, Okaiawa, N.Z.
Safety-fuse for electric installation.
- No. 26547.—10th November, 1908. †—F. L. Alley, Sydney, N.S.W.
Beating and finishing machine.*
- No. 26548.—6th September.—C. Suttie, Waharoa, N.Z., and M. H. Wynyard, Onehunga, N.Z.
Flax-drying apparatus.*
- No. 26549.—9th September.—W. Mulvena, Chinderah, N.S.W., and A. Campbell, Cudgen, N.S.W.
Wire-strainer.*
- No. 26550.—9th September.—F. Roberts, Epsom, N.Z., and V. J. Roberts, Pongsonby, N.Z.
Hose-coupling.
- No. 26551.—9th September.—F. Roberts, Epsom, N.Z., and V. J. Roberts, Pongsonby, N.Z.
Pressure-indicator.
- No. 26552.—9th September.—A. W. Galliohan, Palmerston North, N.Z.
Sovereign-purse.
- No. 26553.—9th September.—R. B. Williams, Winton, N.Z.
Branding-appliance.
- No. 26554.—9th September.—T. Mustad, Birmingham, Eng.
Intermittent gas-supply for illuminated sign.*
- No. 26555.—9th September.—Sandow, Limited, London, Eng.
Corset.* (*R. M. Hahn.*)
- No. 26556.—9th September.—H. Siegwart, Lucerne, Switz.
Concrete-cylinder-forming apparatus.*
- No. 26557.—9th September.—C. E. Hibberd, London, Eng.
Coinfreed mechanism.*
- No. 26558.—9th September.—J. R. Williams, H. W. and B. Bradley, Sheffield, Eng.
Zinc and copper extraction and electrolytic cell.*
- No. 26559.—15th April. †—G. G. Johnston, Sydney, N.S.W.
Pneumatic tyre.*
- No. 26560.—9th September.—E. Brydges, Wellington, N.Z.
Bedstead.
- No. 26561.—8th September.—F. R. Trevithick, Auckland, N.Z.
Angle-meter attachment.
- No. 26562.—10th September.—J. Wilson, Christchurch, N.Z.
Extension-table.
- No. 26563.—8th September.—J. R. Park, Dunedin, N.Z.
Water-flush. (*W. Beamish.*)
- No. 26564.—8th September.—A. Burt, Dunedin, N.Z.
Gold-saving apparatus.
- No. 26565.—9th September.—E. W. Gawne, Dunedin, N.Z.
Washing boiler or copper.
- No. 26566.—10th September.—R. Salt, Lyttelton, N.Z.
Venetian-blind.*
- No. 26567.—10th September.—J. Parker, Napier, N.Z.
Fastening wires to posts.
- No. 26568.—9th September.—H. O. Bioletti, Auckland, N.Z.
Door-holder.
- No. 26569.—11th September.—G. R. Hutcheson, Wellington, N.Z.
Signalling-lamp.
- No. 26570.—11th September.—G. Nicholls, Wellington, N.Z.
Sewing-machine gear.
- No. 26571.—11th September.—J. B. Blaine and S. R. East, Wellington, N.Z., and J. G. Stevens, Otaki, N.Z.
Apparatus for indicating position of sunken vessels.
- No. 26572.—11th September.—J. Calders and A. M. McKenzie, Carterton, N.Z.
Weed-exterminating composition.
- No. 26573.—9th September.—J. Williams, Napier, N.Z.
Easy-chair.
- No. 26574.—10th September.—D. M. Anderson, Riverside, N.Z.
Handle for agricultural implements.
- No. 26575.—13th September.—L. N. Nattrass, Wellington, N.Z.
Shafting-lubricator.
- No. 26576.—13th September.—D. Morrison, Gisborne, N.Z.
Playing-cards.
- No. 26577.—10th September.—A. Storrie, Invercargill, N.Z.
Hose-pipe connection.*
- No. 26578.—14th September.—H. Ashworth, Wellington, N.Z.
Tram-car signal-indicator.
- No. 26579.—14th September.—J. Fortune, Heathcote, Vic.
Lamb-marking appliance.
- No. 26580.—14th December, 1908. †—J. L. Buchanan, Northampton, Eng.
Soap-manufacture.*
- No. 26581.—13th September.—Archbold Bros., Christchurch, N.Z.
Couch.
- No. 26582.—13th September.—C. H. Mitchell, Auckland, N.Z.
Gas, &c., engine.
- No. 26583.—13th September.—J. Bate, Parnell, N.Z.
Flax washing and brushing.
- No. 26584.—13th September.—W. H. Chipperfield, London, Eng.
Gas, &c., compressor for lamps.*
- No. 26585.—13th September.—J. Shaw, pigeon-race timer.
- No. 26586.—13th September.—R. Dunne, J. Blair, and A. J. Park, Dunedin, N.Z.
Mitre-cutter.
- No. 26587.—15th September.—Young and Co., Auckland, N.Z.
Liquid draw-off.
- No. 26588.—15th September.—F. McLaughlin, Wellington, N.Z.
Push-cart.
- No. 26589.—15th September.—W. Andrews, Wellington, N.Z.
Signalling-lamp.

- No. 26590.—15th September.—K. M. Stevens, Maungatapere, N.Z.
Milking-machine teat-cup release.
- No. 26591.—15th September.—A. Yancey, Biloxi, U.S.A.
Shelling crustacea.*
- No. 26592.—15th September.—E. L. Holly, Katanning, West. Aus., and A. E. Radford, Bermuda, West. Aus.
Collapsible crate.*
- No. 26593.—15th September.—T. A. Wells, Wellington, N.Z., G. L. Hooper, Petone, N.Z., and W. J. Monkhouse, Wellington, N.Z.
Cleaning, &c., rails.
- No. 26594.—15th September.—T. Scheie, Spy Hill, Canada.
Traction-engine-wheel rim.*
- No. 26595.—15th September.—United Shoe Machinery Company, Paterson, U.S.A.
Boot-machine. (*E. Brothers.*)
- No. 26596.—15th September.—United Shoe Machinery Company, Paterson, U.S.A.
Boot-machine. (*E. Brothers.*)
- No. 26597.—15th September.—United Shoe Machinery Company, Paterson, U.S.A.
Work-support. (*R. F. McFeely.*)
- No. 26598.—15th September.—United Shoe Machinery Company, Paterson, U.S.A.
Machine for inserting fastenings. (*G. Goddu.*)
- No. 26599.—15th September.—United Shoe Machinery Company, Paterson, U.S.A.
Bootmaking apparatus, &c. (*R. F. McFeely.*)
- No. 26600.—15th September.—United Shoe Machinery Company, Paterson, U.S.A.
Tack-pulling machine. (*L. V. Miller.*)
- No. 26601.—15th September.—United Shoe Machinery Company, Paterson, U.S.A.
Heel-nailing machine. (*H. Hall.*)
- No. 26602.—15th September.—United Shoe Machinery Company, Paterson, U.S.A.
Heel-blackening machine. (*F. M. Furber.*)
- No. 26603.—2nd February.† — H. L. Blackwell, Sydney, N.S.W.
Body-belt.*
- No. 26604.—15th September.—W. Goodwin, Richmond, N.Z.
Seed-sower.*
- No. 26605.—15th September.—W. J. Harvey, Taihape, N.Z.
Boot, &c., heel.
- No. 26606.—15th September.—A. G. Jackson, Brisbane, Q.
Turret clock.*
- No. 26607.—14th September.—A. W. Halliday, Roslyn Bush, N.Z.
Traction-engine.
- No. 26608.—14th September.—S. Levy, Dunedin, N.Z.
Removing sediment from barrels.
- No. 26609.—14th September.—J. Scott, Dunedin, N.Z.
Raising and lowering curtain-poles.
- No. 26610.—14th September.—W. Castles, Stanmore, N.S.W.
Excavator, &c.*
- No. 26611.—15th September.—A. Cates, Ashburton, N.Z.
Kerosene-pump.
- No. 26612.—15th September.—E. Le Roy, Devonport, N.Z.
Hammock and cot.
- No. 26613.—17th September.—V. R. Johns, Pukekohe, N.Z.
Tennis-racket.
- No. 26614.—15th September.—P. Kohlenberg.
Coal-holder.

Complete Specifications filed after Provisionals.

LIST of complete specifications filed after provisional specifications, from the 4th to the 17th September, 1909, inclusive:—

- No. 25326.—D. Fraser, revolving jig saw.
- No. 25330.—A. W. B. Corry and C. H. Alley, nail-punch.
- No. 25413.—United Shoe Machinery Company, sole-moulding, &c., machine. (*A. A. Ball.*)
- No. 25414.—United Shoe Machinery Company, pressure-applying machine. (*E. N. Preble.*)
- No. 25415.—United Shoe Machinery Company, lasting, &c., machine. (*W. O. Wheeler, E. E. Winkley, and J. C. Smith.*)
- No. 25453.—W. Dall, wire-fence dropper.
- No. 25990.—E. Sorenson, gig-seat.

Notice of Acceptance of Complete Specifications.

Patent Office,
Wellington, 22nd September, 1909.

COMPLETE SPECIFICATIONS relating to the under-mentioned applications for Letters Patent have been accepted, and are open to public inspection at this office. Any person may, at any time within two months from the date of this *Gazette*, give me notice in writing of opposition to the grant of any such patent. Such notice must set forth the particular grounds of objection, and be in duplicate. A fee of 10s. is payable thereon. The copies of claims and extracts from the specifications and drawings are merely intended to give some further indication of the invention than is disclosed in the title, and the complete specifications and drawings should be referred to for a description of the invention. Copies of drawings may be obtained at the uniform price of 1s. each. Where, in exceptional cases, they are of exceptional length, this price may be increased at the discretion of the Office.

No. 24932.—17th September, 1908.—UNITED SHOE MACHINERY COMPANY, of Paterson, in the State of New Jersey, United States of America, a corporation duly organized under the laws of the said State of New Jersey, carrying on business as Shoe Machinery Manufacturers, and having a place of business at 205 Lincoln Street, Boston, Massachusetts, United States of America (assignees of Andrew Eppler, of 41 Aldie Street, Boston, Suffolk, Massachusetts aforesaid, Inventor). Improvements in or relating to sewing-machines.*

Claims.—(1.) In a chain-stitch shoe-sewing machine having, in combination, a needle, looper, thread-finger, take-up, and auxiliary take-up, the provision of means for preventing the auxiliary take-up from acting during (a) the first part of the retracting stroke of the needle, or (b) the time the thread-finger is giving up thread to the needle, or (c) a portion of the cycle of operation while the take-up still has capacity for movement to give up thread. (2.) In a chain-stitch shoe-sewing machine having, in combination, a curved hook needle, a looper, a thread-finger, a take-up, and a spring-actuated auxiliary take-up, the employment of a relatively fixed stop for limiting the thread-pulling action of the auxiliary take-up, and means for actuating the parts, all timed and arranged to prevent the auxiliary take-up from stealing thread from the thread-finger during its thread-delivering stroke.

[NOTE.—Here follow twenty-one other claims.]

(Specification, £1 15s.)

No. 24943.—17th September, 1908.—ROBERT MCGAFFIN, of Hastings, New Zealand, Contractor. Improved means and apparatus for catching flax leaves or fibre from flax-strippers, and for placing such leaves or fibre on the apparatus used in conveying the same on to and over the water scutcher or washing-machine.*

Extract from Specification.—The action of my said invention is as follows: The catching-wheel *a* is caused to revolve in the direction of the arrow shown in Fig. 1 by means of the worm and pinion C1 and B1 respectively. As the wheel revolves the aforesaid rollers *bb1 bb2, bb3, bb4, bb5, and bb6*, on the follower-arms *b1, b2, b3, b4, b5, and b6*, follow round the guides *e1, e2*. As each roller approaches the point D and follows the cam-like outline of the said guides the follower-arm carrying it is caused to move outwards in the arc of a circle and so turn the axis on which it is mounted, thereby causing the catching-arm keyed to that axis to move outwards in the arc of a circle till it assumes the position of the arm c1. The said wheel revolving still further and the roller following the said guides causes the follower-arm carrying it to again move in the arc of a circle till thereby the catching-arm keyed to the axis on which that follower-arm is mounted is closed against the periphery of the catching-wheel. As the said wheel revolves yet further and the roller in question approaches the point E the operation aforesaid is repeated, and so on with that and every . . . of the said rollers and follower-arms as they come and again come towards the points D and E respectively in the successive revolutions of the catching-wheel. In this manner the flax-leaves falling at or near the point D are caught and held by the catching-arms, are carried to the point E, and are there dropped on to the travelling-web.

[NOTE.—The above extract from the specification is inserted in place of the claims.]

(Specification, 7s. 6d.)

No. 24950.—18th September, 1908.—ANNE ROBINS, of East Gore, Otago, New Zealand, Married Woman. Improved produce-box.*

Claims.—(1.) In the conveyance and storage of produce such as eggs, fruit, &c., a crate containing trays, but capable of being folded by the special pivot hinges set forth, so that the ends fold to the bottom but are only allowed to open sufficiently to admit the trays, combined with trays having wires specially fastened by tacks in the manner shown on the drawing, and as described and explained. (2.) Crates capable of holding trays, of having said trays removed and sides fitted in their place for holding large produce, the said crates having ends capable of being folded by the special pivot hinges set forth, and of only opening to the position needed to admit the trays or said sides, all substantially as set forth.

(Specification, 3s. 3d.)

No. 25042.—9th October, 1908.—JOHN ANDERSON PATERSON, of Wellington, New Zealand, Engineer. Improvements in or relating to hydrocarbon-gas producers.*

Claims.—(1.) In the production of gas from hydrocarbon oils, the combination with a chamber through which the exhaust from a gas or oil engine is passed, of carburetting means placed within such chamber, substantially as specified. (2.) In means for the production of gas from hydrocarbon oils, the combination with a chamber through which the exhaust from a gas or oil engine is passed, of a carburettor placed within such chamber and arranged to leave a space all round it, and passages through such chamber for conveying air to the carburettor and air for admixture with the generated gas, substantially as specified. (3.) Means for the production of gas from hydrocarbon oils, substantially as described and explained, and as illustrated in the drawings.

(Specification, 5s. 6d.)

No. 25060.—9th October, 1908.—ROBERT JOHN McDONALD, of Devonport, Auckland, Bootmaker. An improved sandal.*

Claim.—For the purpose indicated, the combination with a sandal having high sides and a tongue integral with the fore part of the upper, of a cross-shaped fastener attached to the tongue, and having two long and two short opposing arms, whereby the sandal is held close against the foot of the wearer, substantially as set forth.

(Specification, 2s.)

No. 25262.—25th November, 1908.—FREDERICK HAMILTON JACKSON, of New Plymouth, New Zealand, Ironmonger. An improved grip for scythe-handles.*

Extract from Specification.—According to my invention, the grip is made entirely of metal, a strip of the requisite width being bent near its middle in the form of a curve, the two members thus produced normally tending to spring apart, as in the case of some spring hand-shears. The outer end of each member is bent into semicircular shape so that the two ends approximately fit upon the scythe-handle. The drawing-together of the two members for the purpose of clamping the grip upon the handle is effected by a screw which passes through one member and takes into a nut upon the other.

[NOTE.—The above extract from the specification is inserted in place of the claims.]

(Specification, 3s. 3d.)

No. 25389.—29th December, 1908.—HENRY THOMAS FLETCHER, of 10 Princes Street, Auckland, New Zealand, Metallurgist and Chemist. Rotary canvas buddle.*

Claims.—(1.) In the rotary canvas buddle specified, the same consisting of, in combination, a circular reservoir subdivided for containing separately the pulp and clean water, and with holes therein, said reservoir being suspended above a buddle revolved by gearing or the like, said buddle having a surface sloping from its centre to its outward extremity, and being covered with canvas or like material, and having a pipe for directing jets of water placed at a point over its surface, said buddle working in conjunction with a launder subdivided for receiving separately the slime and the concentrates, all for the purpose set forth, as described and illustrated. (2.) In the canvas-covered rotary buddle specified, the application, arrangement, and combination of the different parts, all for the purpose set forth, as described and illustrated.

(Specification, 3s. 3d.)

No. 25546.—19th March, 1908.—ALFRED ARTHUR LOCKWOOD, Chemist, and MARCUS REGINALD ANTHONY SAMUEL, Merchant, both of 12 Minorities, London, England. Improvements relating to the treatment of ores.

[NOTE.—This is an application under the International and Inter-colonial Arrangements, the date given being the official date of the application in England.]

Claims.—(1.) The process of treating ores, tailings, middlings, or concentrates, containing two or more metalliferous minerals, preliminary to classification, consisting in exposing them to treatment with a reagent or reagents such as will relax the cohesion between the particles of one metalliferous mineral and another, or between metalliferous mineral particles and non-metalliferous particles, while avoiding any chemical action on the constituents which would change their nature, substantially as described. (2.) The treatment of ores containing two or more metalliferous minerals, as a preliminary to classification, for the purpose of freeing the particles of one metalliferous mineral from another, or metalliferous mineral particles from non-metalliferous particles, without appreciably dissolving the metals, consisting in agitating the crushed ore, tailings, middlings, or concentrates with the solution of a reagent or reagents such as caustic alkali or silicates of the alkalies, substantially as described.

(Specification, 5s. 6d.)

No. 25570.—16th February, 1909.—CHARLES REED, of Mary Street, Mount Eden, Auckland, New Zealand, Builder. An improved window sash and frame.*

Claims.—(1.) A new and improved window sash and frame whereby sashes may be hung or unhung without the removal of the usual beads or any beads or parting-slips, as described, by the contrivance of using "line-carrying slips" (C) made of timber, metal, or other material, and grooving the pulley-styles and sash-styles to receive the said line-carrying slips C, substantially as shown on the drawings and described by the specification, as and for the purpose specified. (2.) The new or improved window sash and frame in claim 1, comprising the use of slips of timber, metal, or other material to carry the sash-lines of the said sashes, the said pulley and sash styles to be grooved to receive the said slips C, all arranged substantially as described and shown with reference to the drawings, and for the purpose specified.

(Specification, 3s.)

No. 25853.—2nd August, 1909.—WILLIAM JOSIAH LOVE, Managing Director of Cement-works, Dunedin, New Zealand. Improved damp-proof bags for lime and cement.

Claims.—(1.) In lime and cement bags, a lining consisting of a paper bag treated with oil, pitch, tar, or rubber composition for rendering same more damp-proof, all substantially as set forth. (2.) In lime or cement bags, a plain lined bag, the said bag-lining consisting of a paper bag placed within the usual outer bag, all substantially as set forth. (3.) In lime or cement bags, a composition to render same more impervious to damp, such as cuprous ammonia solution, or alum, soap, gum-arabic, or a mixture of two or more of these ingredients, or a solution of pitch, tar, or rubber painted on and left till dry, all substantially as set forth.

(Specification, 2s.)

No. 26169.—30th June, 1909.—ALFRED FALKNER, of Kaiparoro, New Zealand, Farmer. Improved actuating-gear for jacks, cranes, and the like, causing motion in racks and wheel-gear as used in machinery employed in lifting weights, &c.

Claim.—In actuating-gear for jacks and cranes and the like, devices comprising, in combination, a spindle mounted in bearings, and having fixed thereon two cranks or eccentrics actuating two pawls for engaging into teeth upon racks or wheels, said eccentrics or cranks having such a throw and being so placed with respect to each other that one tooth may be lifted at each revolution of the spindle, together with the triggers at the back of the pawls and the tappets or detents actuating the same, so that revolution of the handle shall cause when revolved in one direction a rising motion on the rack or wheel, and the reverse motion when revolved in the opposite direction.

(Specification, 3s. 6d.)

No. 26170.—28th June, 1909.—ROBERT MCGAFFIN, of Hastings, New Zealand. Improved means or apparatus for grinding or dressing the beating-bars of flax-stripping drums.

Extract from Specification.—The action of my said invention is as follows: Having securely fixed the stone *i* or the file *j* in either the stone-holder or the file-holder, as the case may be, by the means described, and having set the stone-holder or the file-holder, as the case may be, at one or other end of the worms *e1, e2*, I place the slotted frame *a* carrying the travelling-frame *b* and the stone-holder or file-holder aforesaid, as the case may be, in position above the drum *B* by slipping the ends *d1 d1* of the bolts *d d* through the eye-bolts *o o* bolted on to the chairs *C C* (having, of course, previously so adjusted the said bolts *d d* relatively to the said frame *a* as that the latter shall be at a height above the drum sufficient to allow the stone *i* or the file *j* in the stone- or file-holder, as the case may be, to bear at the proper angle upon the beating-bars); at the same time I place or draw the pins *a2 a2* within the forks *m1 m2* of the brackets *m m*, and then, by means of the levers *n1 n2*, lock the slotted frame securely in position, so that the stone or the file, as the case may be, carried thereon shall bear at the proper height and angle upon the beating-bars of the aforesaid drum. The angle of the stone or of the file to the beating-bars can be varied by screwing up or down the bolts *d d* and fixing them in position by means of the lock-nuts *d2 d2* and *d3 d3*, the coiled springs *k1 k2* automatically producing a corresponding adjustment of the frame at that end thereof. The said frame *a* carrying the travelling-frame and stone- or file-holder having been thus securely mounted and fixed in position over the drum of the stripper, the said drum is caused to revolve at a rapid rate. By this means the beating-bars on the said drum are successively brought beneath and against the cutting-face of the stone or of the file, as the case may be. At the same time the workman turns the crank *g* on the cog *f2*, which cog engaging with the cogs *f1 f3* sets the latter in motion and thereby causes the worms *e1 e2* to revolve and so gradually to carry the stone-holder or the file-holder, as the case may be, and with it the stone or file thereon respectively, from one side of the frame *a* to the other. Then, on the workman turning the crank *g* in the reverse direction, the stone-holder or the file-holder, as the case may be, is, by the means and in manner aforesaid, caused to travel back to the side of the frame from which it started, and so on. The stone or file, as the case may be, is thus caused to travel and operate from end to end of the said beating-bars as many times as may be necessary to grind or dress them all to an equal and uniform extent and to a uniform angle or bevel. When it is desired to present a fresh portion of the surface of the stone or file, as the case may be, to the work in hand the workman simply adjusts the set-screw *b1* by means of the crank *b2*, and thus causes the travelling-frame *b* to move up or down the slotted frame, as the case may be. When the work is finished the drum *B* is stopped and the workman throws the levers *n1 n2* out of action and then lifts or draws the frame off the said drum.

[NOTE.—The above extract from the specification is inserted in place of the claims.]

(Specification, £1.)

No. 26194.—7th July, 1909.—ALFRED JAMES, of 2 Broad Street Place, London, England, Mining and Metallurgical Engineer (assignee of Andrew Swan, of 16 Felix Avenue, Crouch End, London, England, Draughtsman). Improvements in the lixivation of ores and the like.

Claims.—(1.) The introduction of waste gases directly into the solutions employed, so as to heat same, and also to effect the more efficient circulation and agitation of such solutions and of the ore-pulp or the like. (2.) The use of waste gases in agitators acting on the principle of the Pohle air-lift or Brown agitator for the purpose of effecting agitation and improving extraction. (3.) The introduction of heated compressed air directly into the solutions employed so as to heat same, and also to effect the more efficient circulation and agitation of such solutions and of the ore-pulp or the like. (4.) In processes for the agitation of solutions, pulp, and the like by compressed air, the heating of the compressed air prior to its application to the pulp, for the purpose of effecting a saving in the consumption of compressed air, and for improving extraction by heating the solutions.

(Specification, 2s.)

No. 26242.—14th July, 1909.—WILLIAM ASHTON CHAMBERS, Builder, and WILLIAM HERBERT BOOTH, Engineer, both of Waipukurau, New Zealand. Improved means for the production of gas from hydrocarbon oils.

Claims.—(1.) In means for the production of gas from hydrocarbon oils, in combination, a carburetting-chamber, a tray surrounding the bottom portion of the chamber, means

for passing a current of hot water or air through such tray, an air-pipe leading into the carburetter and provided with a number of perforated branches extending along the bottom thereof, means for introducing oil into the chamber and for maintaining it at a constant level, and a gauze screen extending across the upper portion of the chamber, substantially as and for the purposes specified. (2.) The general arrangement, construction, and combination of parts in our improved means for the production of gas from hydrocarbon oils, substantially as described and explained, as illustrated in the drawings, and for the several purposes set forth.

(Specification, 3s. 3d.)

No. 26288.—23rd July, 1909.—BENJAMIN TREWHELLA and WILLIAM TREWHELLA, trading as "Trehwella Brothers," at Trentham, Victoria, Australia; Engineers and Ironworkers. Improved horse-power winch.

Claims.—(1.) In a horse-power winch, and in combination, a vertical winding-drum operated through the medium of a toothed-gear train by a grooved pulley adapted to be rotated in either direction by animal-power. (2.) In a horse-power winch, and in combination, a vertical winding-drum operated through the medium of a double-pinion toothed-gear train by a grooved pulley adapted to be rotated in either direction by animal-power. (3.) In a horse-power winch as described, a winding-drum having an eccentric on its shaft journaled in the frame, a lever for rotating said eccentric, and a toothed wheel on said drum gearing with the gear-train.

[NOTE.—Here follow six other claims.]

(Specification, 5s. 6d.)

No. 26291.—26th July, 1909.—HARRY WILSON DAVIES, of 139 Adelaide Road, Wellington, New Zealand, Plumber. Improvements in acetylene-gas generators.

Extract from Specification.—According hereto the generating-chambers, which extend downward from the top of the gasometer, are increased in length and of the same diameter throughout and open at the bottom. The depth of the cylinders used for supporting the carbide-holders, and having open bottoms and closed tops, is also increased, thus enabling the carbide to be placed in a much lower position in the generating-chambers. A specially constructed frame for holding carbide-canisters having perforated peripheries is adapted to be placed within the said cylinders, and supported by a shelf within the said cylinders, near the bottom end thereof.

[NOTE.—The above extract from the specification is inserted in place of the claims.]

(Specification, 6s.)

No. 26305.—28th July, 1909.—JAMES THOMAS HUNTER, of Queen's Chambers, Wellington, New Zealand, Patent Agent (nominee of the Enfield Cycle Company, Limited, Manufacturers, of the Enfield Works, Redditch, Worcestershire, England, and Walter Johnson, Cycle-painter, of 8 Park Road, Kenilworth, Warwickshire, England). Improved apparatus for painting or producing lines on the frames or other parts of velocipedes, motor and other vehicles, and the like.

Claim.—The improved apparatus for painting or producing lines on the frames or other parts of velocipedes, motor and other vehicles, and the like, including the means for guiding the painting-devices and the arrangements whereby such means may, where desirable, be adapted to the frame, tubes, forks, or mudguards of a bicycle, or to different forms or designs of bicycles; also the means whereby variations in the nature of the design may be made, and the entire operation carried through in a satisfactory and convenient manner.

(Specification, 8s.)

No. 26306.—28th July, 1909.—MUREX MAGNETIC COMPANY, LIMITED, of 55 and 56 Bishopsgate Street Within, London, England (assignees of Alfred Arthur Lockwood, of 12 Minories, London, England, Chemist). Treatment of ores and carboniferous earths, and to the treatment of oils for this purpose.

Claims.—(1.) The treatment of ores or the like with oily liquids which contain minute quantities of such metallic compounds as are insoluble in water and alkaline solutions, substantially as described. (2.) Treating oily liquids to render

them suitable for the treatment of ores or the like with a substance such as a soluble soap and with the salt of a metal which can form an insoluble soap, substantially as described. (3.) Treating oily liquids to render them suitable for the treatment of ores or the like with a soluble metallic salt and with an oxide of a metal which is capable with a saponifiable oil of forming an insoluble soap, substantially as described. (4.) Treating oily liquids to render them suitable for the treatment of ores or the like with magnetic oxide of iron and sulphate of alumina, substantially as described. (5.) Treating oily liquids to render them suitable for the treatment of ores or the like with sulphate of alumina, substantially as described.

(Specification, 4s. 6d.)

No. 26335.—3rd August, 1909.—ARTHUR WILSHIRE, of Manilla, New South Wales, Australia, Auctioneer. An improved adjustable seat for sulkies and like vehicles.

Claims.—(1.) Improved operating mechanism for adjusting slidable seats of sulkies or the like vehicles, comprising a transverse shaft rotatable in a pair of plummer-blocks affixed underneath the seat-framing, and having a pair of pinions each engaging with a rack affixed to the underneath of the seat, said shaft being adapted to be locked by a pivoted trigger taking in a notched extension on one of the said plummer-blocks, as described and ascertained. (2.) In mechanism for the purpose set forth, the combination of a rotatable transverse shaft as claimed in claim 1, having a collar such as 26 taking in a recess such as 25 in a divided plummer-block such as 19 that has a notched extension such as 27 in which is adapted to engage a pivoted trigger such as 29, that has one end adapted to engage with a cam-way such as 33, all as and for the purpose set forth, and as illustrated in the drawings. (3.) An improved operating mechanism for adjusting slidable seats of sulkies or like vehicles, consisting of the mechanical parts or integers as described, and illustrated in the drawings.

(Specification, 3s.)

No. 26349.—4th August, 1909.—THOMAS BROWN, of Hereford Street, Christchurch, New Zealand, Merchant and Importer (assignee of James Troup, of Christchurch aforesaid). Improvements in machinery for printing upon bags of textile material.

Claims.—(1.) Apparatus for the purpose indicated, comprising the parts constructed, arranged, and operated substantially as specified. (2.) In apparatus of the nature indicated, the employment of a stretching board or frame for stretching the material upon which the printing is to be effected, substantially as specified and illustrated.

(Specification, 2s.)

No. 26354.—4th August, 1909.—MATTHEW BRIDGEMAN PECK, of Willowbridge, Canterbury, New Zealand, Farmer. Improved apparatus for use in filling bags.

Extract from Specification.—I secure the mouth of the bag in a circular frame pivoted upon the end of a bifurcated lever, whereby when the lever is depressed the bag is raised and the material shaken down into it. The frame is mounted upon a carriage provided with travelling wheels, and a platform for the bag to rest upon projects from the bottom of the carriage.

[NOTE.—The above extract from the specification is inserted in place of the claims.]

(Specification, 2s. 3d.)

No. 26356.—31st July, 1909.—CHARLES SPURGEON BEILBY, of Murchison, Nelson, New Zealand, Mining Engineer. Improved sluice-valves.

Claims.—(1.) In water-valves, a butterfly valve turned by slow-motion gearing so as to open or close slowly, with a packed face for closing against, all substantially as shown on the drawing, and as described and as explained. (2.) In hydraulic valves, a butterfly valve having its spindle placed slightly out of the centre so as to give it a tendency to close or shut tight to its packed seating, with slow motion to its spindle for actuating same, all substantially as set forth. (3.) In valves, the spindles worked by screw, worm, or spur gearing to obtain slow motion in an otherwise quick-action valve, all substantially as set forth.

(Specification, 2s. 3d.)

No. 26382.—5th August, 1909.—BING, HARRIS, AND CO., LIMITED, a Company incorporated in New Zealand, and having its registered office at High Street, Dunedin (assignees of William Strachan Neill and John Elvidge, both of Dunedin, New Zealand, Boot-manufacturers). Improvements in shoes.

Claims.—(1.) In a shoe of the type described, fastening-means consisting of a tongue and a pair of ankle-straps adapted to cross through the tongue and extend and be secured to the sides of the shoe, substantially as described and illustrated. (2.) In a shoe of the type described, fastening-means consisting of a tongue integral with the upper, and provided with a loop and a pair of ankle-straps integral with the upper and adapted to cross through said loop and extend and be secured to the sides of the shoe, substantially as described and illustrated. (3.) For making the upper of the shoe claimed in claim 2, a pattern cut out substantially as described, and illustrated in Fig. 2.

(Specification, 2s. 3d.)

No. 26387.—9th August, 1909.—JOHN ALFRED LISSINGTON and BYRON JEFFREY, both of Palmerston North, New Zealand, Plumber and Gasfitter respectively. Improved silent-flushing cistern.

Claims.—(1.) For the purpose indicated, the parts constructed, arranged, combined, and operated substantially as specified, and illustrated in the drawing. (2.) For the purpose indicated, the employment of the counterbalance weight in combination with the lever which carries a flushing-valve, substantially as described, and illustrated in the drawing.

(Specification, 2s.)

No. 26420.—14th May, 1909.—THOMAS JOHN PALMER, of Moss Bridge, Darwen, Lancaster, England, Manufacturer. An improved moulding for use as a cornice and for analogous purposes.

[NOTE.—This is an application under the International and Inter-colonial Arrangements, the date given being the official date of the application in Great Britain.]

Claim.—A moulding for cornices and for analogous purposes, the said moulding being made with the portions to be applied to the wall and ceiling respectively (in the case of a cornice, and the corresponding portions in other cases) in the same plane with each other, the said portions being connected by a part formed so that it can be bent longitudinally, and the adjacent edges of the said portions being so formed that the said edges abut against and mutually support each other when the bending is effected, substantially as described, and illustrated in the drawing.

(Specification, 3s. 6d.)

No. 26435.—18th August, 1909.—CHARLES RIDLEY, of 15 Claremont Road, Cricklewood, London, England, Engineer. Improvements in the methods of obtaining gases from solids and in apparatus employed therein.

Claims.—(1.) The improved method and means for obtaining gases from solids by a continuous cycle of operations which consist of charging the material into an open-mouthed receiving-chamber through rolls, from which it is conveyed in the presence of atmospheric air through suitable ducts fitted with traversing and elevating devices into a feeding-duct, by which it is fed into the upper chamber of a retort, and by an inlet-duct into the retort, which is sealed at both ends by an accumulation of the material under treatment, where it is subjected to the action of agitating-devices in the presence of steam, the gas given off being drawn away from the upper part of the retort by an exhausting-device, and the material being ejected from the lower part of the retort into the receiving-chamber, where it is reoxidized and passed through the apparatus again as before, means being provided for withdrawing spent material and substituting fresh material as may be required. (2.) The improved apparatus for carrying out the process forming the subject of the first claiming clause hereof, which consists of a receiving-chamber provided with feeding and inspection devices, ducts and traversing-devices for conveying the material from the outlet of the said chamber into the retort, a retort furnished at its upper end with a receiving dome or chamber provided with an air-outlet, feeding and discharging screws at the upper and lower ends respectively of the retort, agitating-devices within the retort, and means for admitting steam into the retort, and for withdrawing the gas therefrom, and for discharging spent material as required, substantially as described.

(Specification, 6s.)

No. 26436.—27th August, 1908.—JOHN WILLS CLOUD, of 82 York Road, King's Cross, London, England, Engineer. Improvements in fluid-pressure brake apparatus for railway-vehicles.

[NOTE.—This is an application under the International and Inter-colonial Arrangements, the date given being the official date of the application in England.]

Claim.—In a railway-vehicle provided with compressed-air-brake apparatus and a main train-pipe, or at least with a main train-pipe, the arrangement of a length of pipe for connection to the exhaust port of the triple valve, having a coupling-head at each end composed of a material or of materials not liable to deteriorate or become defective by exposure to the atmosphere, whereby the said length of pipe can be coupled up when desired to the similar pipes on adjacent vehicles by means of detachable couplings to form a second train-pipe extending throughout the train, substantially as described.

(Specification, 4s. 3d.)

No. 26438.—18th August, 1909.—STEPHEN NORTHEY and ARTHUR LESLIE BELL, both of Bethanga Road, Victoria, Australia, General Blacksmiths. Improvements in and relating to pliers.

Claims.—(1.) In pliers, means substantially as set forth for holding wire or the like, for feeding it to and beyond the jaws, and for severing it, after twisting it or otherwise. (2.) The combination with pliers, of one or more supports for a reel or reels or the like, and one or more jaw-holes, slots, or the like adapted to receive material fed from said reel or reels, as indicated. (3.) A mode of using pliers and feeding material therewith consisting of passing the material through a jaw or jaws from one or more reels or the like by actuating the plier-handles as indicated. (4.) A mode of applying a fastening by means of pliers supplied with wire or like material, consisting in passing the material through one or more jaw-holes or slots, bending it, enclosing in the bend parts to be fastened, gripping it, twisting it, and severing it, substantially as indicated. (5.) Pliers having in combination the parts shown by Fig. 1. (6.) In pliers, a jaw having an end lip to overlap the end of the other jaw for shearing purposes. (7.) In pliers, a transverse recessed shearing overlapping-jaw lip in combination with a plain jaw, as indicated.

(Specification, 5s. 6d.)

No. 26439.—18th August, 1909.—DEMETRIO MAGGIORA, of 58 Bromfelde Road, Clapham, London, England, Gentleman, and MATTHEW SINCLAIR, of "Brondesbury," Cedar Road, Sutton, Surrey, England, Gentleman. Improvements in apparatus for phonographically producing musical sounds, and in the manufacture of records therefor.

Claims.—(1.) Apparatus for phonographically producing musical sounds, comprising a series of independent continuously moving records of definite musical sounds, and corresponding reproducers controlled by keys for determining the order of production and the duration of the sounds, the records consisting of circular grooves each of which is formed of sound-wave impressions, continuous and in step at every point so as to be capable of producing the same sound continuously for an indefinite time. (2.) Apparatus for phonographically producing musical sounds, comprising a series of independent continuously moving records of definite musical sounds, and corresponding reproducers controlled by keys for determining the order of production and the duration of the sounds, each record-groove being arranged in spiral form, and the stylus of each reproducer being adapted to move across the record-member and be automatically returned to normal starting-position.

[NOTE.—Here follow twelve other claims.]

(Specification, £1 7s.)

No. 26440.—1st September, 1908.—AXEL JULIUS LAURITS LASSEN, of Copenhagen, Denmark, Machine-manufacturer. Method of and machine for stoppering bottles with capsules.

[NOTE.—This is an application under the International and Inter-colonial Arrangements, the date given being the official date of the application in Denmark.]

Claims.—(1.) A method of stoppering bottles with capsules in which the capsule-material is cut out, the edge of the

capsule bent, and the capsule pressed firmly round the neck of the bottle, all in one operation. (2.) A machine for the stoppering of bottles with capsules by means of the method claimed in claim (1), having three pistons capable of sliding one inside the other, of which pistons the outermost one, 21, cuts the capsule-material from a metal strip and bends its edge around the edge of the bottle while the second piston, 23, presses the edge tightly around the neck of the bottle, and the third piston, 26, releases the bottle.

[NOTE.—Here follow five other claims.]

(Specification, 6s. 6d.)

No. 26445.—18th August, 1909.—THOMAS HENRY BECKS GAYNER, of 113 Neville Street, South Melbourne, Victoria, Australia, Cycle Mechanic. Manufacture of inflatable articles from textile material.

Claim.—The manufacture of inflatable articles from textile material treated with a preparation of Turkish bird-lime, substantially as and for the purposes specified.

(Specification, 2s. 6d.)

No. 26449.—17th August, 1909.—ALBERT HORMANN, of Lorne Post-office, Invercargill, New Zealand, Farmer. Improvements in artificial minnows.

Claims.—(1.) An artificial minnow comprising a head portion, a separate body portion, and means for removably connecting the body portion to the head portion, substantially as described. (2.) An artificial minnow comprising a head portion and a separate body portion, one of said portions having a recessed internally threaded end, and the other portion an externally threaded end on which the recessed end of the first portion can be screwed up so as to removably connect the two portions, substantially as described.

(Specification, 2s.)

An asterisk (*) denotes the complete specification of an invention for which a provisional specification has been already lodged.

NOTE.—The cost of copying the specification has been inserted after the notice of each application. An order for a copy or copies should be accompanied by a post-office order or postal note for the cost of copying.

The date of acceptance of each application is given after the number.

Extracts from the drawings accompanying the foregoing complete specifications appear at the end of this Gazette.

J. C. LEWIS,
Registrar.

Provisional Specifications accepted.

Patent Office,
Wellington, 22nd September, 1909.

APPLICATIONS for Letters Patent, with provisional specifications, have been accepted as under:—

- No. 26201.—P. J. Griffin, tea-can.
- No. 26208.—F. Jira, table-filter.
- No. 26383.—J. Mead, show-case fastener.
- No. 26401.—A. F. Roy, nosebag.
- No. 26403.—F. W. Ockerby, threshing-machine.
- No. 26404.—W. Withell, flying-machine.
- No. 26415.—H. P. Knutzen, air-ship.
- No. 26418.—H. North, bedstead.
- No. 26423.—T. Latham, seed-grader.
- No. 26447.—C. J. Tattam and H. Clarke, adding-machine.
- No. 26448.—G. Walker and C. R. Bell, utilisation of stripper waste.
- No. 26453.—H. Williamson, window-fastener.
- No. 26454.—H. Williamson, non-refilling bottle.
- No. 26456.—A. B. Sheath, music-teaching apparatus.

[NOTE.—Provisional specifications cannot be inspected, or their contents made known by this office in any way, until the complete specifications in connection therewith have been accepted.]

Letters Patent sealed.

LIST of Letters Patent sealed from the 1st to the 15th September, 1909, inclusive:—

- No. 24058.—H. Quertier, umbrella, parasol, &c.
 No. 24446.—P. R. Robb and G. A. Birch, candle-case and soonce.
 No. 24454.—H. I. M. Ross, double-current ventilator.
 No. 25211.—J. Kannulnik, closet-ventilator.
 No. 25401.—J. J. Loke, tile, slab, &c.
 No. 25636.—Babcock and Wilcox, Limited, conveyor-chain. (J. H. Rosenthal.)
 No. 25710.—J. Peacock, tin, &c., saving appliance.
 No. 25884.—A. R. Angus, railway-train collision preventing device.
 No. 25910.—H. C. L'O. Rolfe, metal fencing-post.
 No. 25960.—J. Syvret, closet.
 No. 25977.—H. Fenton, boot, &c., heel.

Letters Patent on which Fees have been paid.

[NOTE.—The dates are those of the payments.]

SECOND-TERM FEES.

- NO. 19584.—W. Rogers, fencing-standard. (A. T. W. Allan.) 9th September.
 No. 19910.—J. Coe and V. Johansen, soldering-iron. 18th September.
 No. 19991.—G. and C. Hoskins, Limited, locking bar-pipe joint. (G. J. Hoskins.) 7th September.
 No. 20019.—Pintsch's Patent Lighting Company, Limited, inverted gas-lamp. (J. Pintsch.) 13th September.
 No. 20023.—W. E. Hughes, locomotive-steam distribution. (H. Lentz and C. Bellens.) 13th September.
 No. 20055.—A. P. Harper, emptying kerosene-tins. (R. S. Haughton.) 18th September.
 No. 20060.—A. T. Bate, garbage-destruction furnace. (F. Cotton.) 15th September.
 No. 20064.—P. H. O'Keeffe, C. G. and C. F. Tindal, salting meat. 9th September.
 No. 20066.—J. Paull and H. J. W. Smith, gate-opener. 15th September.
 No. 20067.—W. E. Hughes, locomotive-steam distribution. (H. Lentz and C. Bellens.) 13th September.
 No. 20071.—C. H. Bissaker, acetylene-gas generator. 15th September.
 No. 21637.—C. R. Mayo, spark-arrester. 14th September.

THIRD-TERM FEES.

- No. 15318.—A. T. Bate, fuel. (Frank Cotton.) 31st August.
 No. 15374.—E. Waters, jun., power, &c., transmission. (R. A. Fessenden.) 7th September.
 No. 15375.—E. Waters, jun., electro-magnetic wave-signalling. (R. A. Fessenden.) 7th September.
 No. 15394.—E. Waters, jun., electro-magnetic wave-signalling. (R. A. Fessenden.) 7th September.
 No. 15403.—A. H. Nathan, tea, &c., packer. (F. H. Coombes and W. F. Tucker.) 15th September.

Subsequent Proprietors of Letters Patent registered.

[NOTE.—The name of the former proprietor is given in brackets; the date is that of registration.]

- NO. 19976.—Annie Reid, of Dunedin, New Zealand, Spinster, and James Gray, of Dunedin aforesaid, Agricultural-Implement Manufacturer. Device for lifting side of plough automatically. (W. Kennedy.) 4th September, 1909.
 No. 20047.—James William Eades, of Glenmore, Auckland, New Zealand, Linotype Operator. Non-refillable bottle. (F. Blackburn and J. Robertson.) 4th September, 1909.
 No. 23338.—The New Zealand Leatherrubber Company, Limited, a company duly incorporated under the provisions of "The Companies Act, 1908," and having its registered office in Heretaunga Street, Hastings, Hawke's Bay, New Zealand. Regenerating waste or scrap leather. (C. J. Hemery and G. Fitzgerald.) 8th September, 1909.
 No. 25607.—William Kemp and Henry Sheehan, both of 136 Little Collins Street, Melbourne, Victoria, Australia, Iron-merchants. Window-screen. (F. Davison.) 4th September, 1909.

Requests for Correction of Clerical Errors.

NO. 25374.—A. Thomas, of Detroit, U.S.A., Engineer (advertised in Supplement to *New Zealand Gazette*, No. 7, of 28th January, 1909):—

To alter, on page 3, line 28, of the specification, the words "whose tension members" to read "whose shear members."

To substitute the word "shear" for the word "tension" on page 4, line 27, of the specification.

To substitute the word "shear" for the word "tension" on page 4, line 29, of the specification.

To substitute the word "crushing" for the word "compression" on page 6, line 29.

No. 25958.—M. Tillie, machine for making button-holes, &c. (advertised in Supplement to *New Zealand Gazette*, No. 59, of the 15th July, 1909):—

To alter the address on the application and specification from "Foyle Factory, Londonderry, Ireland," to "Dunoregan, Northland Road, Londonderry, Ireland."

J. C. LEWIS,
Registrar.

Applications for Letters Patent abandoned.

LIST of applications, with which provisional specifications only have been filed, abandoned (*i.e.*, complete specifications not lodged) from the 4th to the 17th September, 1909, inclusive:—

- No. 25137.—J. O. Suckling, flushing-mechanism.
 No. 25179.—G. Nelson, refrigerator.
 No. 25181.—H. A. Fox, enclosure indicator for mail matter.
 No. 25186.—R. N. Adams, window-fastener.
 No. 25187.—J. H. McLeod, cheese-vat.
 No. 25188.—V. M. Stewart, table-game apparatus.
 No. 25193.—E. C. Austin, foresight for spirit-level.
 No. 25194.—J. D. McLaurin, baled-goods-temperature tester. (W. Alexander.)
 No. 25205.—A. H. Wright, advertising and display-sheet apparatus.
 No. 25208.—G. H. Morley, cleaning drinking, &c., vessels.
 No. 25214.—D. A. Poole, teat-cup.
 No. 25219.—E. L. Clark, suction and force pump.
 No. 25220.—H. R. Smith, rotary pump.
 No. 25224.—W. G. Richardson, hemp-washing, &c.
 No. 25226.—J. Phelps, plaster.
 No. 25233.—F. C. Ziemsen, cutting down water-plants.
 No. 25237.—W. T. Hitchen, gas-generator and rabbit-fumigator.
 No. 25238.—W. E. Mainwaring, telephone-disinfector, &c.
 No. 25241.—J. G. Bentley, window-sash-lock adjuster.
 No. 25243.—T. Woolley, match-boarding cramp.
 No. 25244.—A. H. Wright, advertising and educational display-sheet apparatus.

Application for Letters Patent abandoned by Withdrawal on the Part of the Applicant.

NO. 25014.—S. Wright, acetylene-generator. (Advertised in Supplement to the *New Zealand Gazette*, No. 71, of 26th August, 1909.)

Applications for Letters Patent void.

APPLICATIONS for Letters Patent, with which complete specifications have been lodged, void owing to non-acceptance of such complete specifications, from the 4th to the 17th September, 1909, inclusive:—

- No. 24519.—F. E. Ross, cow-shed bail.
 No. 24539.—W. G. J. Brown, hair-tonic.

Applications for Letters Patent lapsed.

APPLICATIONS for Letters Patent lapsed, owing to Letters Patent not being sealed, from the 4th to the 17th September, 1909, inclusive:—

Nil.

Letters Patent void.

LIST of Letters Patent void through non-payment of renewal fees, and through expiry of term of fourteen years, from the 4th to the 17th September, 1909, inclusive:—

THROUGH NON-PAYMENT OF SECOND-TERM FEES.

- No. 19546.—A. Cowell, sheep-shears fork and tension device.
 No. 19551.—J. C. Traill, curtain-pin.
 No. 19552.—T. Driffield, chimney-top or ventilator. (T. Driffield and P. T. Johns.)
 No. 19557.—A. Storrer, ridger and sower.
 No. 19561.—T. Rouse and H. Cohn, briquette fuel.
 No. 19563.—Empire Inventions Company, Limited, fire-escape. (C. L. Garland, G. Proudfoot, and M. Bowen.)
 No. 19564.—R. H. Easdown, rabbit-trap.
 No. 19574.—A. Hayes, liquid-vaporiser.
 No. 19579.—W. Langdon and F. W. Wagstaff, nib-releasing pen-holder.
 No. 19583.—T. N. Horsley, artificial stone.
 No. 19586.—C. W. Gordon, pedal-strap for cycle.
 No. 19587.—W. H. Hannam, bath-water heater.
 No. 19589.—E. Lodder, electric-light, &c., support.
 No. 19593.—J. E. Ephraim, acetelyne-gas lamp and generator.
 No. 19603.—R. M. Aitken, antimony and arsenic ore treatment.
 No. 19604.—F. W. Payne and R. McLintock, blast apparatus.

THROUGH NON-PAYMENT OF THIRD-TERM FEES.

- No. 14954.—M. Kennedy, washing-fluid.
 No. 14984.—E. Waters, jun., gold-separator. (Rose Gold Reclamation Company—F. M. Johnson.)
 No. 14993.—W. Kingsland, electric-switch encasing, &c.

THROUGH EXPIRY OF TERM.

- No. 7884.—The Gold Extraction and Bromine Recovery Company, Limited, gold-extraction process. (R. C. Hinman.)
 No. 7892.—E. Maertens, wool, &c., treatment.
 No. 7893.—Felten and Guilleaume Carlswerk Aktien-Gesellschaft, electrical insulator. (T. Guilleaume.)
 No. 7901.—Ogdens, Limited, cigarette-machine. (The Baron Cigarette Machine Company, Limited—B. Baron.)

Design expired.

THE copyright in the following design has expired:—
 No. 218.—T. Wilson, jun., Islington, New Zealand. (Newspaper-rack.)

Applications for Trade Marks filed.

LIST of applications for registration of Trade Marks filed from the 4th to the 23rd September, 1909, inclusive:—

- No. 8235.—4th September.—W. F. Tucker and Co., Auckland, N.Z. Class 42.
 No. 8236.—4th September.—Wright, Stephenson, and Co., Limited, Dunedin, N.Z. Class 37.
 No. 8237.—6th September.—A. and T. Burt, Limited, Dunedin, N.Z. Class 5.
 No. 8238.—7th September.—W. Litherland and Co., Hikurangi, N.Z. Class 42.
 No. 8239.—7th September.—J. Duthie and Co., Limited, Wellington, N.Z. Class 5.
 No. 8240.—8th September.—Hardley and Hardley, Auckland, N.Z. Class 5.
 No. 8241.—8th September.—R. J. McDonald, Devonport, N.Z. Class 38.
 No. 8242.—8th September.—H. H. Hotop, Sydney, N.S.W. Class 1.
 No. 8243.—9th September.—A. Rosenberg, London, Eng. Class 50.
 No. 8244.—10th September.—Smith and Veale, Auckland, N.Z. Class 18.
 No. 8245.—11th September.—R. A. and E. Dutton, Auckland, N.Z. Class 3.
 No. 8246.—11th September.—A. A. Brown, Auckland, N.Z. Class 50.
 No. 8247.—13th September.—G. M. Butterworth, Christchurch, N.Z. Class 42.

- No. 8248.—13th September.—Hutchinson Bros., Limited, Auckland, N.Z. Class 42.
 No. 8249.—13th September.—W. Plowman and Son, Napier, N.Z. Class 3.
 No. 8250.—15th September.—J. S. Cree, Dunedin, N.Z. Class 3.
 No. 8251.—15th September.—H. Berry and Co., Christchurch, N.Z. Class 6.
 No. 8252.—15th September.—H. Berry and Co., Christchurch, N.Z. Class 12.
 No. 8253.—15th September.—R. Demuth, London, Eng. Class 3.
 No. 8254.—16th September.—A. Hyde, Te Awamutu, N.Z. Class 43.
 No. 8255.—17th September.—G. Hunt, Wellington, N.Z. Class 18.

Applications for Registration of Trade Marks.

Patent Office,
 Wellington, 22nd September, 1909.

APPLICATIONS for registration of the following Trade Marks have been received. Notice of opposition to the registration of any of these applications may be lodged at this office within two months of the date of this Gazette. Such notice must be in duplicate, and accompanied by a fee of £1.

No. of application: 7452.

Date: 18th July, 1908.

TRADE MARK.



The essential particular of this trade mark is the distinctive device as shown; and any right to the exclusive use of the added matter is disclaimed.

NAME.

GEORGE DAVIES, of Christchurch, in the Dominion of New Zealand, Manufacturer.

No. of class: 38.

Description of goods: Articles of clothing, such as men's coats.

TRADE MARK.

The word

WEDGWOOD.

The applicants claim that the said trade mark has been in use by them and their predecessors in respect of the articles mentioned for many years prior to the 1st January, 1890.

NAME.

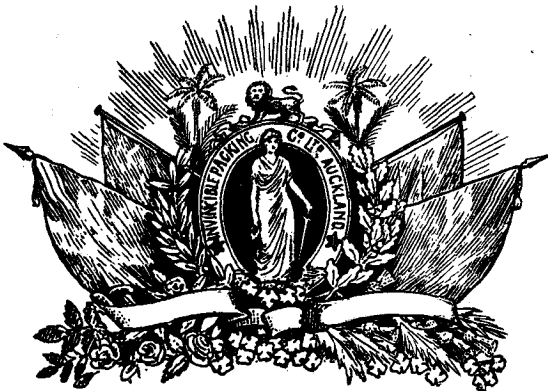
JOSIAH WEDGWOOD AND SONS, LIMITED, of Etruria, Stoke-on-Trent, Staffordshire, England, Pottery-manufacturers.

No. of class: 16.

Description of goods: Earthenware, stoneware, jasper, porcelain, china, and tiles.

No. of application: 7981.
Date: 13th May, 1909.

TRADE MARK.



The essential particular of this trade mark is the distinctive device; and any right to the exclusive use of the added matter is disclaimed.

NAME.

HUTCHINSON BROS., LIMITED, of Auckland, in the Dominion of New Zealand, Provision Merchants.

No. of class: 42.

Description of goods: Substances used as food or as ingredients in food.

No. of application: 8029.
Date: 4th June, 1909.

TRADE MARK



The essential particulars of this trade mark are the following — the device showing the representation of two arrows crossed; and any right to the exclusive use of the added matter is disclaimed.

NAME.

J. KRONHEIMER AND Co., of Admiralitaets Strasse 58, Hamburg, in the German Empire, Merchants.

No. of class: 50.

Description of goods: All kinds of brushware.

No. of application: 8091.
Date: 3rd July, 1909.

TRADE MARK.



The essential particular of this trade mark is the device; and any right to the exclusive use of the added matter is disclaimed.

NAME.

AITCHISON, STEANS, AND Co., of Lichfield Street, Christchurch, in the Dominion of New Zealand, Merchants.

No. of class: 50.

Description of goods: Tobacco-pipes.

No. of application: 8101.
Date: 8th July, 1909.

TRADE MARK.

The word

OXYMEL.

NAME.

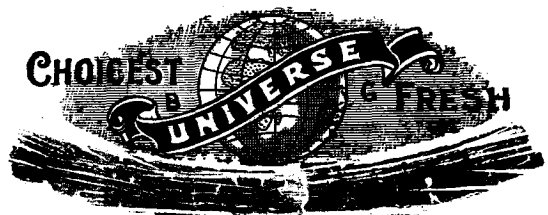
OXYMEL OIL AND ANTI-CORROSIIVE PAINT PROPRIETARY, LIMITED, whose registered office is at 57 Swanston Street, Melbourne, in the State of Victoria, Commonwealth of Australia, Manufacturers.

No. of class: 1.

Description of goods: Varnishes and paints.

No. of application: 8150.
Date: 30th July, 1909.

TRADE MARK.



PURITY GUARANTEED

The essential particulars of this trade mark are the combination of devices and the word "Universe"; and any right to the exclusive use of the added matter is disclaimed.

NAME.

BENNO GUNDELFINGER, KARL GUNDELFINGER, BERNHARD KAUMHEIMER, AND ABRAHAM GUNDELFINGER, trading as "B. Gundelfinger," at 43 President Street, Johannesburg, South Africa, Provision Merchants.

No. of class: 42.

Description of goods: Butter.

No. of application: 8151.
Date: 31st July, 1909.

TRADE MARK.



The essential particular of this trade mark is the distinctive label.

NAME.

J. B. MACEWAN AND Co., LIMITED, of 139-141 Featherston Street, Wellington, in the Dominion of New Zealand, Dairy-produce Merchants.

No. of class: 42.

Description of goods: Butter.

No. of application : 8153.
Date : 2nd August, 1909.

TRADE MARK.



The essential particulars of this trade mark are the device and the words "Veni, Vidi, Vici"; and the applicants disclaim any right to the exclusive use of the added matter, except their name and address.

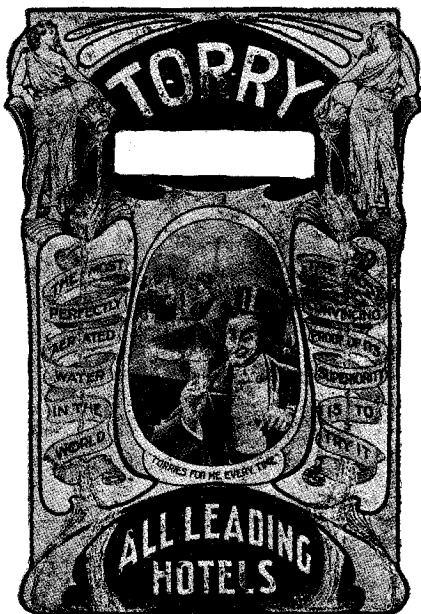
NAME.

THE GREAT NORTHERN BREWERY, LIMITED, a duly incorporated company carrying on business at Khyber Pass Road, Auckland, in the Dominion of New Zealand, as Brewers.

No. of class : 43.
Description of goods : A beverage called "Ferro-stout."
(By consent.)

No. of application : 8185.
Date : 11th August, 1909.

TRADE MARK.



The essential particular of this trade mark is the distinctive label.

NAME.

TORRIES LIMITED, of the City of Auckland and Dominion of New Zealand, Manufacturers of Aerated Waters.

No. of class : 44.
Description of goods : Mineral and aerated waters, natural and artificial, including gingerbeer.

No. of application : 8205.
Date : 19th August, 1909.

TRADE MARK.



NAME.

CHARLES FREDERICK LUNGLEY, of No. 2 Madden Street, Albert Park, in the State of Victoria, Commonwealth of Australia, Chemical Engineer.

No. of class : 37.
Description of goods : Leather, skins unwrought and wrought.

No. of application : 8206.
Date : 20th August, 1909.

TRADE MARK.

The word
CLEENO.

NAME.

HAYWARD BROS. AND Co., LIMITED, of Christchurch, in the Dominion of New Zealand.

No. of class : 47.
Description of goods : Extract of soap, soap, washing-powder, and other laundry preparations.

No. of application : 8220.
Date : 27th August, 1909.

TRADE MARK.

The word
WYNDOSHYNE.

NAME.

ALBERT NEWCOMB AND Co., of Hall of Commerce, High Street, Auckland, in the Dominion of New Zealand, Importers.

No. of class : 50.
Description of goods : A cream preparation for cleaning windows and [or] plate and silverware.

No. of application: 8222.
Date: 27th August, 1909.

TRADE MARK.



The essential particular of this trade mark is the device of a bull; and the company disclaims any right to the exclusive use of the added matter, except its name and address.

NAME.

THE MAITLAND BREWING COMPANY, LIMITED, of Sydney, in the State of New South Wales and Commonwealth of Australia, Brewers.

No. of class: 43.
Description of goods: Beers and stouts.

No. of application: 8237.
Date: 6th September, 1909.

TRADE MARK.

The word

EDINA.

NAME.

A. AND T. BURT, LIMITED, of Dunedin and elsewhere in the Dominion of New Zealand, Importers and Manufacturers.

No. of class: 5.
Description of goods: Plain and corrugated iron, all galvanised.

No. of application: 8239.
Date: 7th September, 1909.

TRADE MARK.

The word

TITAN.

NAME.

JOHN DUTHIE AND Co., LIMITED, of Willis Street, Wellington, in the Dominion of New Zealand, Hardware Merchants.

No. of class: 5.
Description of goods: Galvanised iron.

No. of application: 8242.
Date: 8th September, 1909.

TRADE MARK.

The word

SYLVOL.

NAME.

HAROLD HUGO HOTOP, of 81 Phillip Street, Sydney, in the State of New South Wales, Commonwealth of Australia, Chemist.

No. of class: 1.
Description of goods: Preparations for plating and coating metals.

No. of application: 8244.
Date: 10th September, 1909.

TRADE MARK.

The word

DOME.

NAME.

SMITH AND VEALE, of Sale Street, Auckland, in the Dominion of New Zealand, Ironfounders.

No. of class: 18.
Description of goods: Cooking-stoves.

No. of application: 8253.
Date: 15th September, 1909.

TRADE MARK.

The word

RISICCOL

NAME.

RUDOLPH DEMUTH, of 31 and 32 Budge Row, London, England.

No. of class: 3.
Description of goods: Castor-oil powder.

J. C. LEWIS,
Registrar.

Trade Marks registered.

LIST of Trade Marks registered from the 4th to the 17th September, 1909, inclusive:—
No. 6349/7267.—G. A. Coles and Co., Limited. Class 38. (*Gazette* No. 38, of the 6th May, 1909.)
No. 6350/8070.—W. Hensleigh. Class 43. (*Gazette* No. 55, of the 1st July, 1909.)
No. 6351/8046.—J. K. Cameron. Class 43. (*Gazette* No. 55, of the 1st July, 1909.)
No. 6352/7979.—Vinolia Company, Limited. Class 48. (*Gazette* No. 45, of the 4th June, 1909.)
No. 6353/8006.—Ellis and Manton. Class 42. (*Gazette* No. 55, of the 1st July, 1909.)

No. 6354/8040.—H. A. Rollinson. Class 38. (*Gazette* No. 55, of the 1st July, 1909.)
 No. 6355/8050.—Ellis and Manton. Class 42. (*Gazette* No. 55, of the 1st July, 1909.)
 No. 6356/7249.—F. T. Kunkelman. Class 43. (*Gazette* No. 30, of the 8th April, 1909.)
 No. 6357/7250.—F. T. Kunkelman. Class 43. (*Gazette* No. 30, of the 8th April, 1909.)
 No. 6358/7958.—W. Booth. Class 39. (*Gazette* No. 55, of the 1st July, 1909.)
 No. 6359/7969.—T. H. Garland and Son. Class 42. (*Gazette* No. 55, of the 1st July, 1909.)
 No. 6360/8009.—J. C. Holland. Class 8. (*Gazette* No. 45, of the 4th June, 1909.)
 No. 6361/8056.—Bryant and May, Limited. Class 47. (*Gazette* No. 55, of the 1st July, 1909.)
 No. 6362/8057.—Greene, Tweed, and Co. Class 50. (*Gazette* No. 55, of the 1st July, 1909.)
 No. 6363/8036.—Commonwealth Oil Corporation, Limited. Class 47. (*Gazette* No. 55, of the 1st July, 1909.)
 No. 6364/8037.—Commonwealth Oil Corporation, Limited. Class 47. (*Gazette* No. 55, of the 1st July, 1909.)
 No. 6365/8038.—J. Rattray and Son, Limited. Class 42. (*Gazette* No. 55, of the 1st July, 1909.)
 No. 6366/8048.—G. Lewis. Class 17. (*Gazette* No. 55, of the 1st July, 1909.)
 No. 6367/8058.—H. Disston and Sons, Incorporated. Class 12. (*Gazette* No. 55, of the 1st July, 1909.)
 No. 6368/7558.—J. Giles and Sons, Limited. Class 50. (*Gazette* No. 12, of the 11th February, 1909.)
 No. 6369/7571.—The Finsbury Distillery Company. Class 42. (*Gazette* No. 12, of the 11th February, 1909.)
 No. 6370/8014.—Sargent and Wilson. Class 47. (*Gazette* No. 51, of the 17th June, 1909.)
 No. 6371/7565.—A. A. Hall. Class 47. (*Gazette* No. 75, of the 1st June, 1903.)

Subsequent Proprietors of Trade Marks registered.

[NOTE.—The name of the former proprietor is given in brackets; the date is that of registration.]

NOs. 1366/1094 and 1367/1095.—Jones Brothers, Limited, an English Joint Stock Company, incorporated under the Companies Acts, 1862 to 1900, having its registered office at 12 York Street, Manchester, England, Manufacturers and Merchants. (Jones Bros. and Co.) 7th September, 1909.

No. 1463/1196.—Hamilton and Co. (London) Limited, of 116 and 118 Clerkenwell Road, London E.C., England. Brush-manufacturers. (C. A. Watkins.) 7th September, 1909.

Trade Mark Renewal Fees paid.

FEES paid for the renewal of the undermentioned Trade Marks for fourteen years from the date first mentioned:—

Nos. 1513/1213 and 1514/1214.—20th September, 1909.—Irvine and Stevenson's St. George Company, Limited, Dunedin, N.Z. Class 47. 6th September, 1909.

No. 1576/1432.—4th December, 1909.—Joseph Nathan and Co., Limited, Wellington, N.Z. Class 42. 13th September, 1909.

No. 1583/1275.—9th December, 1909.—The British Empire Trading Company, Limited, Wellington, N.Z. Class 45. 11th September, 1909.

Nos. 1624/1328, 1625/1318, and 1658/1331.—29th January, 1910.—The Maypole Company (1899), Limited, London, England, Merchants. Class 1. 14th September, 1909.

Trade Marks removed from the Register.

TRADE Marks removed from the Register owing to the non-payment of the renewal fee, from the 4th to the 17th September, 1909, inclusive:—

No. 1439/1151.—8th June, 1895.—E. Gallichan, Ashhurst, N.Z. Class 3.

Nos. 1442/1144 and 1443/1145.—11th June, 1895.—H. D. Brandreth, Birkenhead, Eng., Patent-medicine Manufacturer. Class 3.

No. 1444/1340.—14th June, 1895.—R. Urquhart and J. I. Wright, Dunedin, N.Z. Class 3.

No. 1451/1241.—17th June, 1895.—Sharland and Co., Limited, Auckland and Wellington, N.Z., Wholesale Druggists. Class 3.

Applications for Trade Marks opposed.

NO. 8108.—T. H. Green and Co. (Opposed by R. Wilson and Co., Limited.)

No. 8113.—Crown Clothing Manufacturing Company, Limited. (Opposed by Wright, Dixon, and Witt.)

Application for Trade Mark withdrawn.

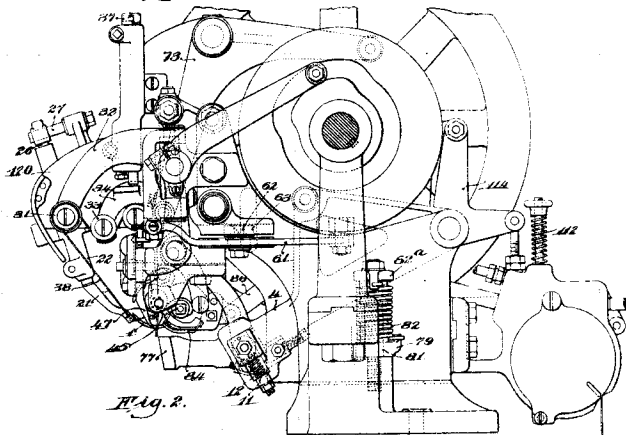
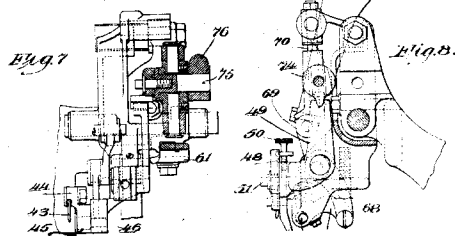
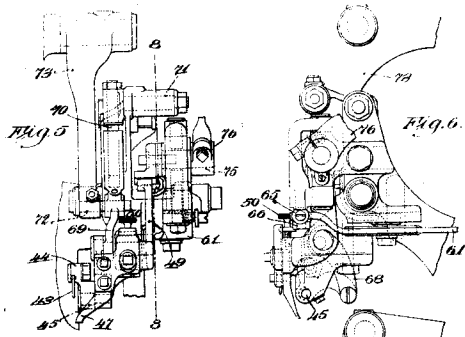
THE following application for Trade Mark has been withdrawn:—

No. 8135.—A. and T. Burt, Limited. (Advertised in Supplement to *New Zealand Gazette*, No. 66, of the 12th August, 1909.)

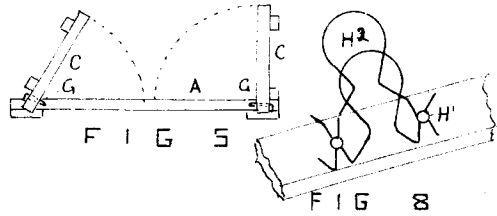
By Authority: JOHN MACKAY, Government Printer, Wellington.

ILLUSTRATIONS OF INVENTIONS.

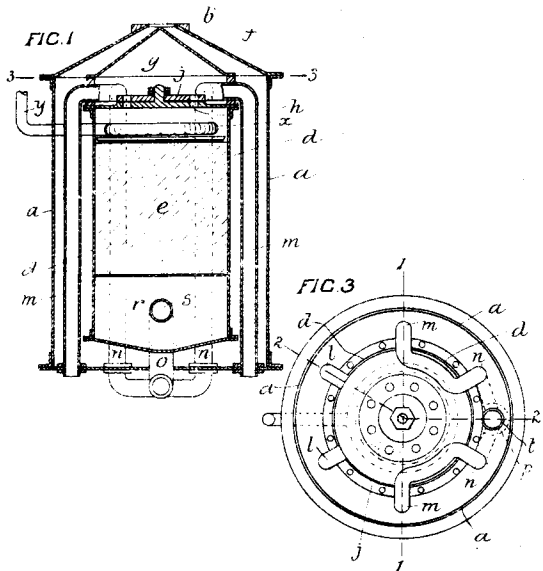
[These illustrations refer to the complete specifications accepted, and advertised in this *Gazette*.]



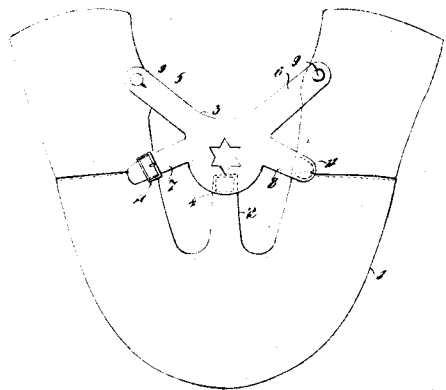
Sewing-machine. United Shoe Machinery Company. (Epler.) 24982.



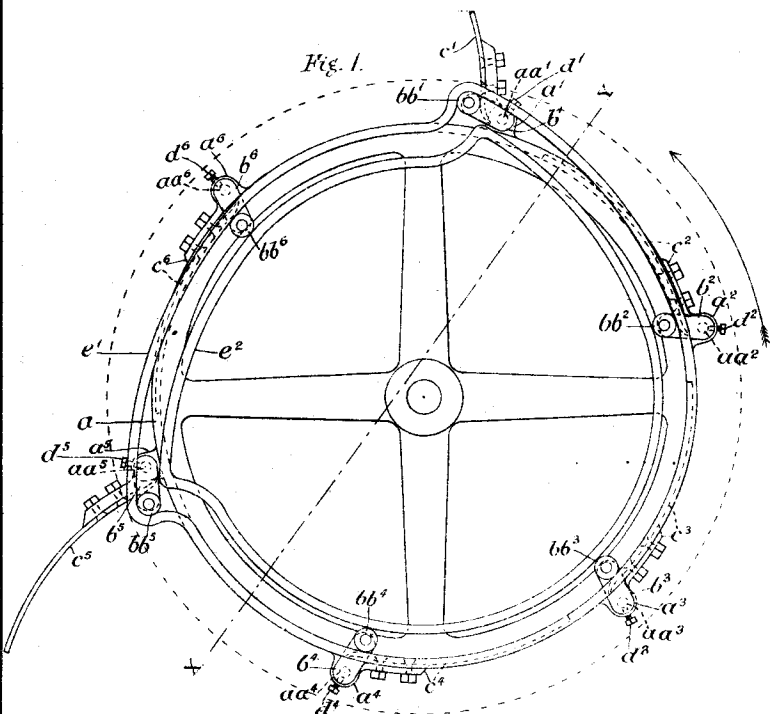
Produce-box. Robins. 24950.



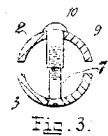
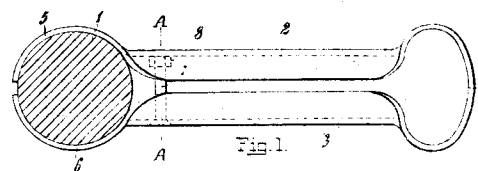
Gas-producer. Paterson. 25042.



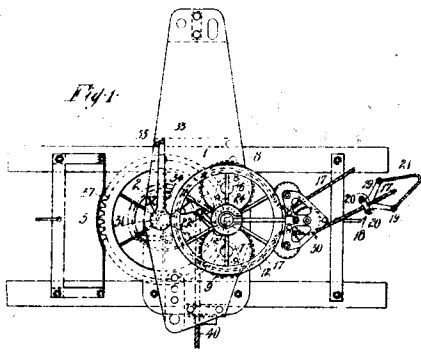
Shoe. McDonald. 25060.



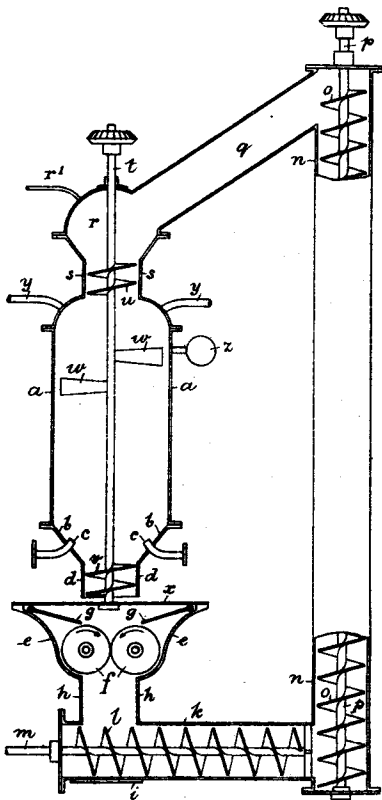
Flax Catcher and Conveyor. McGiffin. 24948.



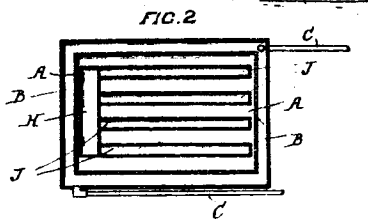
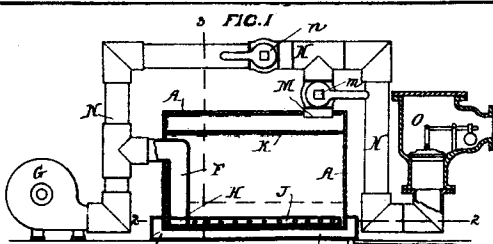
Scythe-handle Grip. Jackson. 25262.



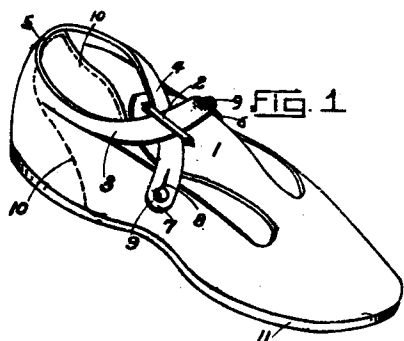
Winch. B. and W. Trehella. 26288.



Gas-producer. Ridley. 26435.



Gas-producer. Chambers and Booth. 26242.



Shoe. Bing, Harris, and Co. (Limited). (Neill and Elvidge.) 26382.

FIG. 2.

FIG. 1.

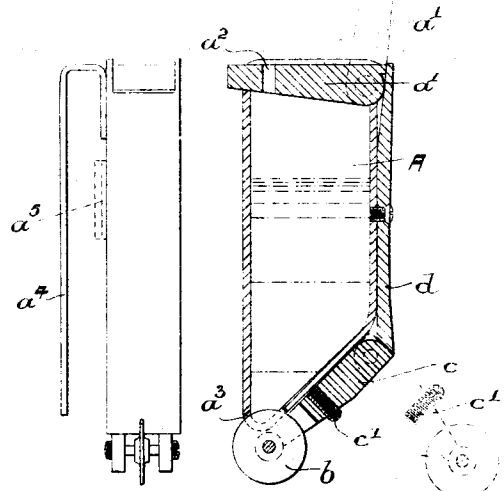
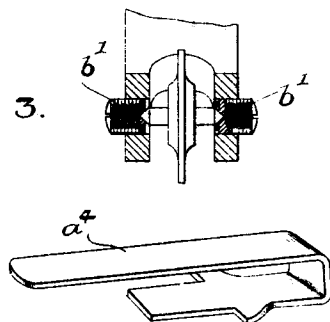
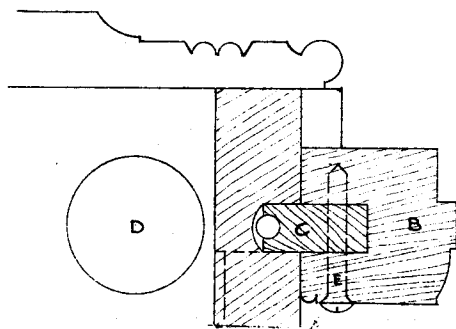


FIG. 3.



Painting Cycles, &c. Hunter. (Enfield Cycle Company (Limited) and W. Johnson.) 26305.



Window-sash. Reed. 25570.

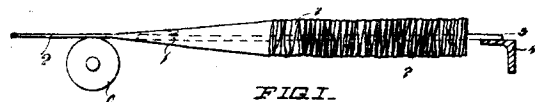


FIG. 1.

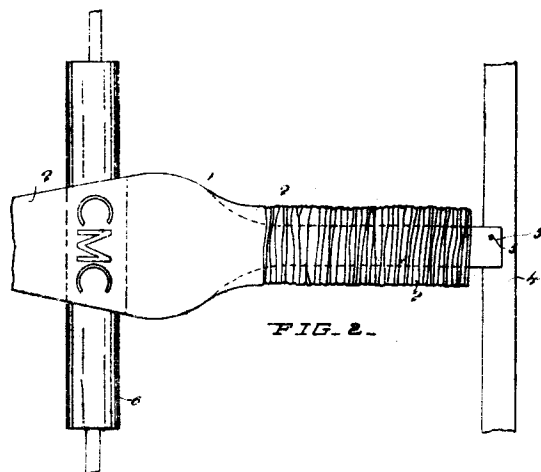
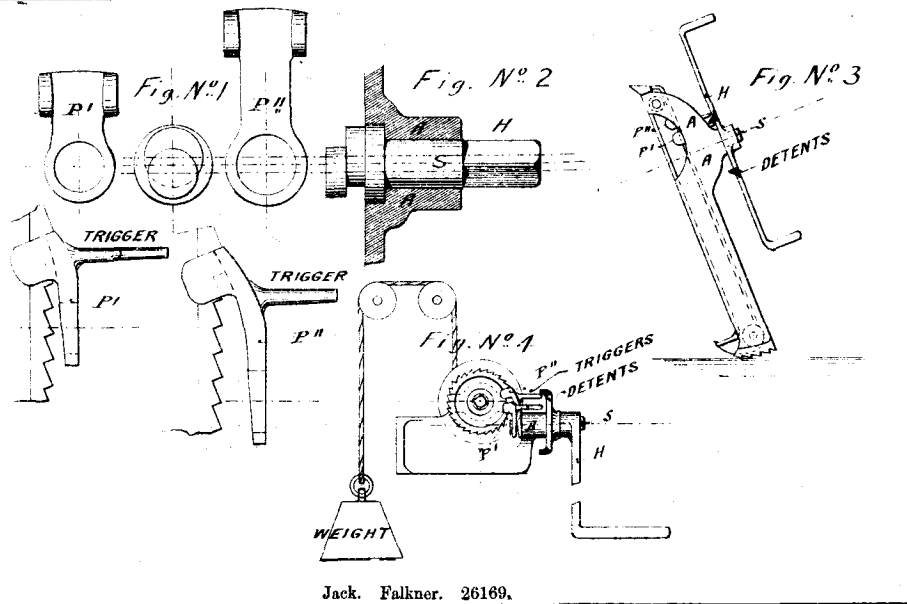
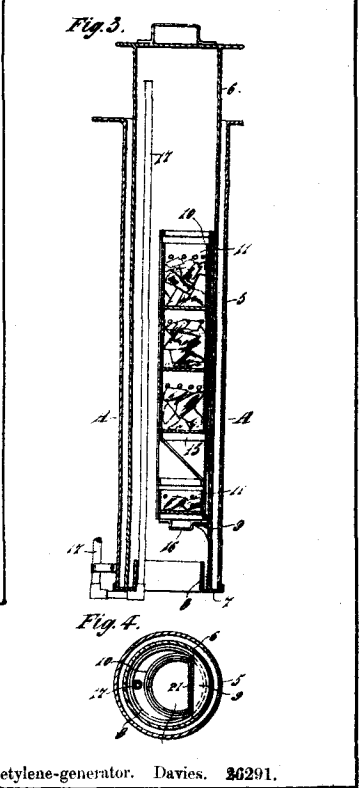


FIG. 2.

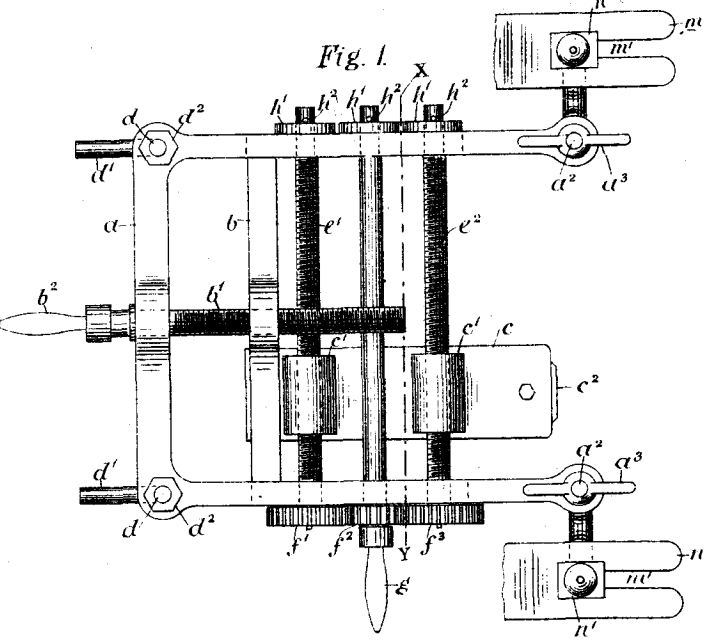
Bag-printer. Brown. (Troup.) 26349.



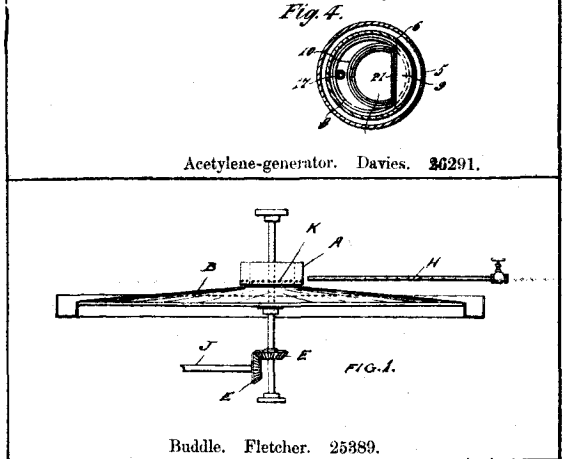
Jack. Falkner. 26169.



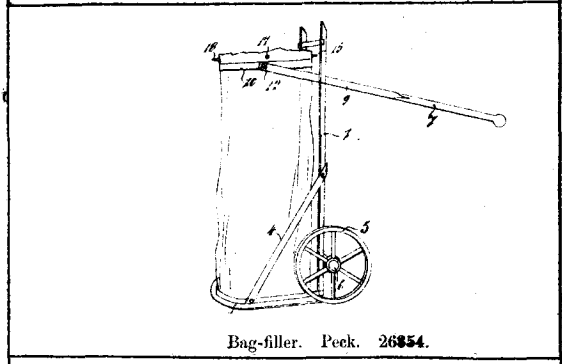
Acetylene-generator. Davies. 26291.



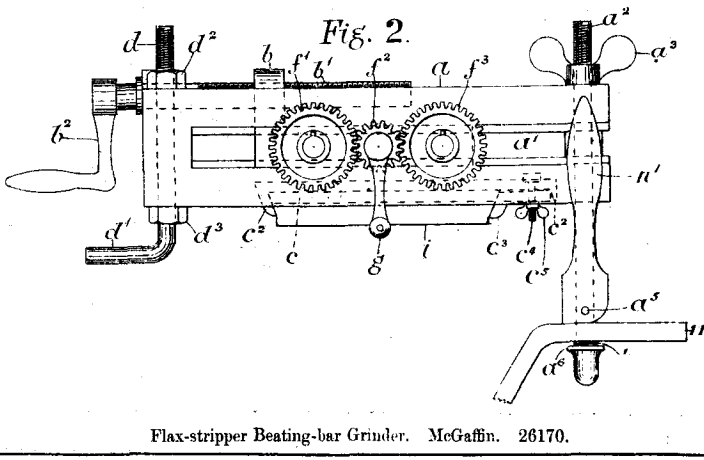
Flax-stripper Beating-bar Grinder. McGaffin. 26170.



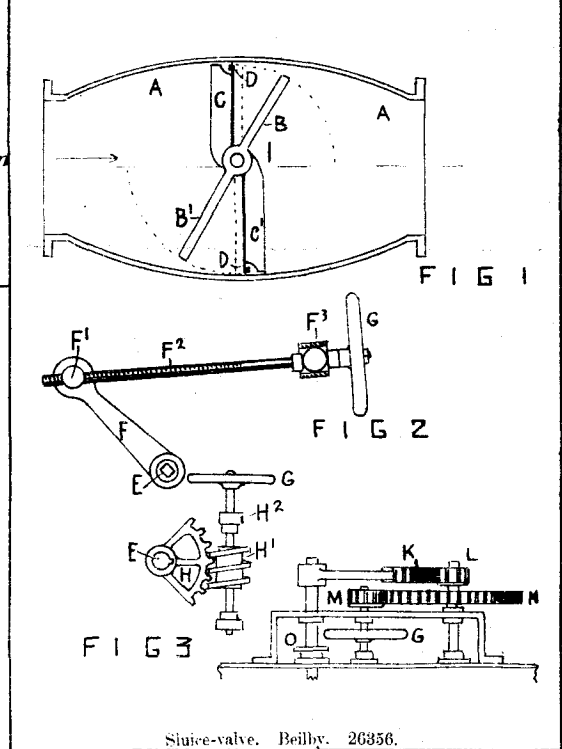
Buddle. Fletcher. 25389.



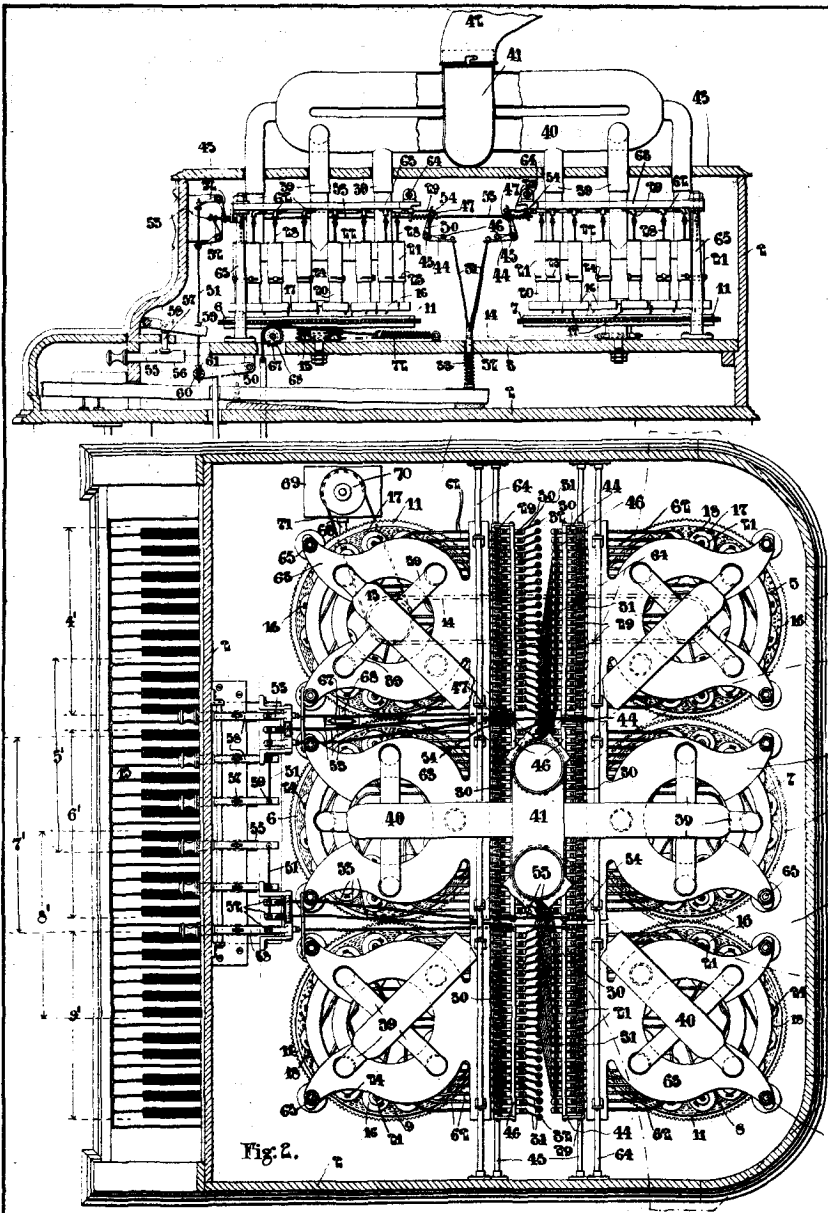
Bag-filler. Peck. 26354.



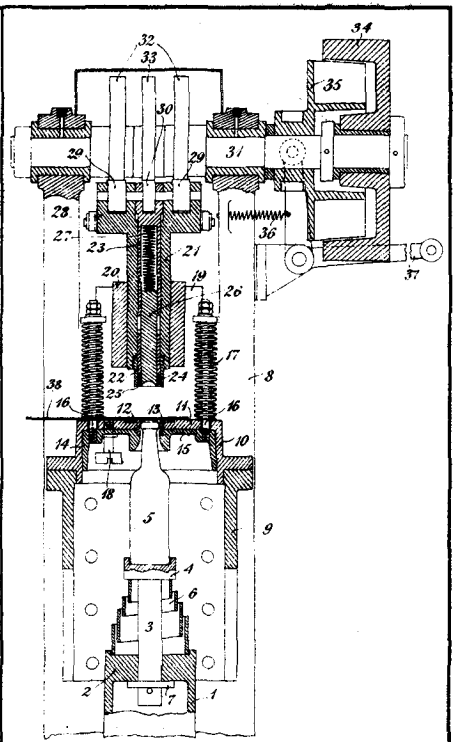
Vehicle-seat. Wilshire. 26335.



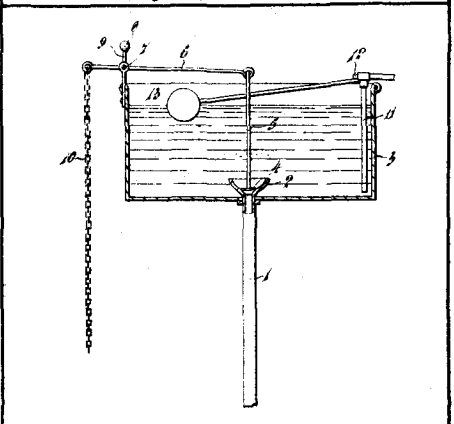
Sluice-valve. Beilby. 26356.



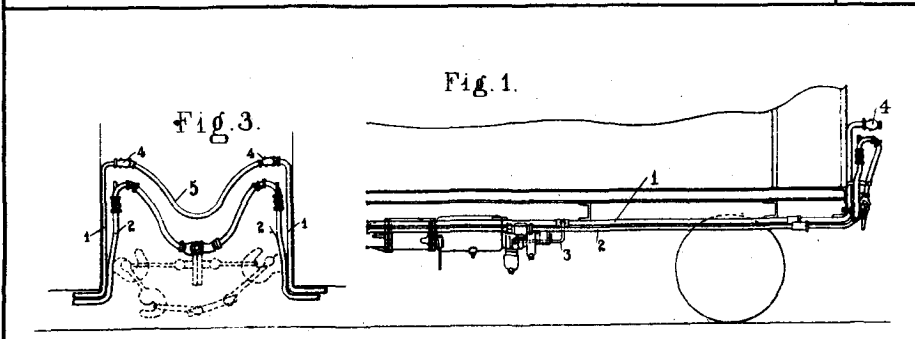
Phonograph and Record. Maggiora and Sinclair. 26439.



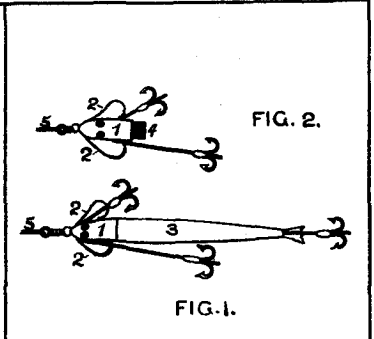
Bottle-capsuling. Lassen. 26440.



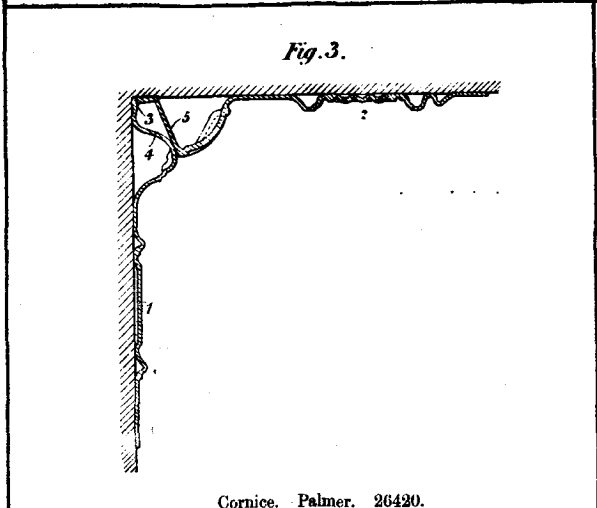
Flushing-cistern. Lissington and Jeffrey. 26387.



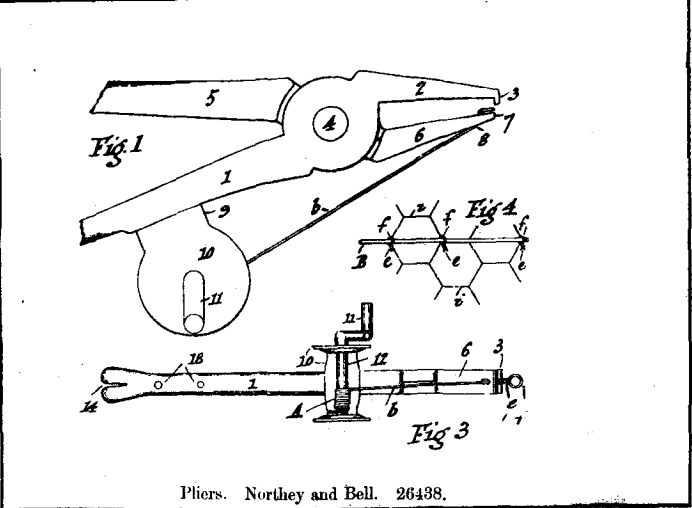
Railway-brake. Cloud. 26436.



Minnow. Hormann. 26449.



Cornice. Palmer. 26420.



Pliers. Northey and Bell. 26438.